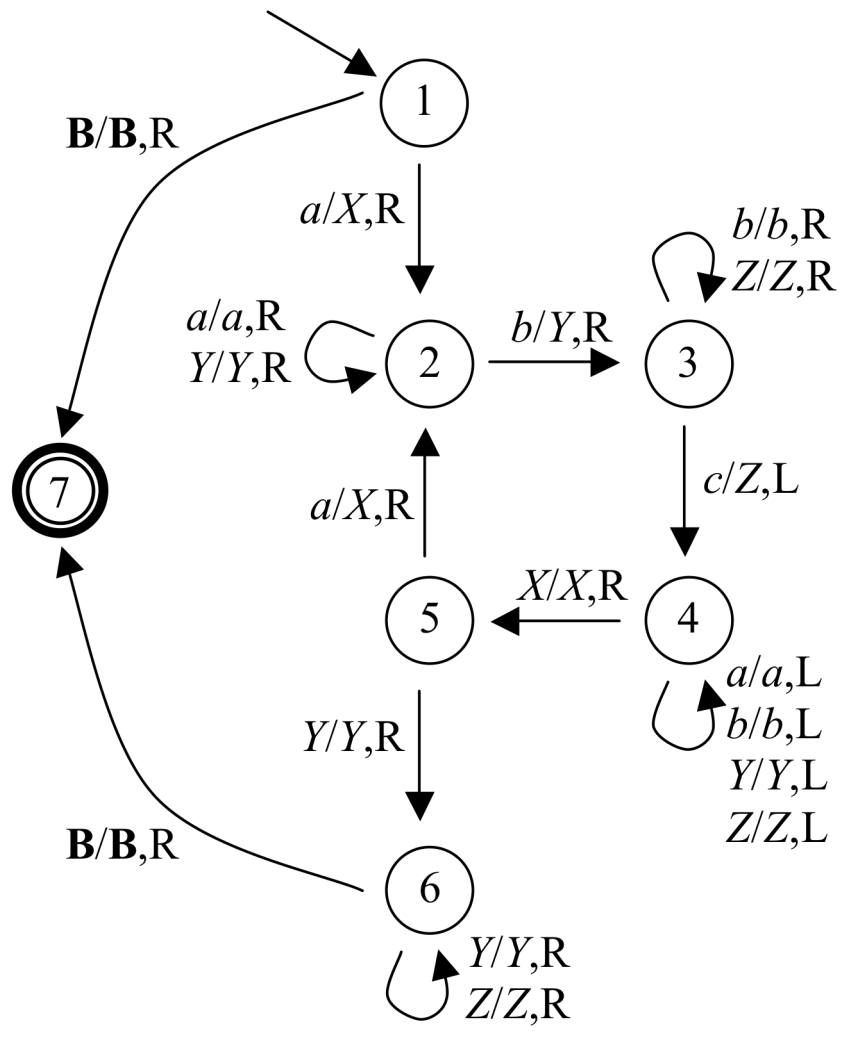
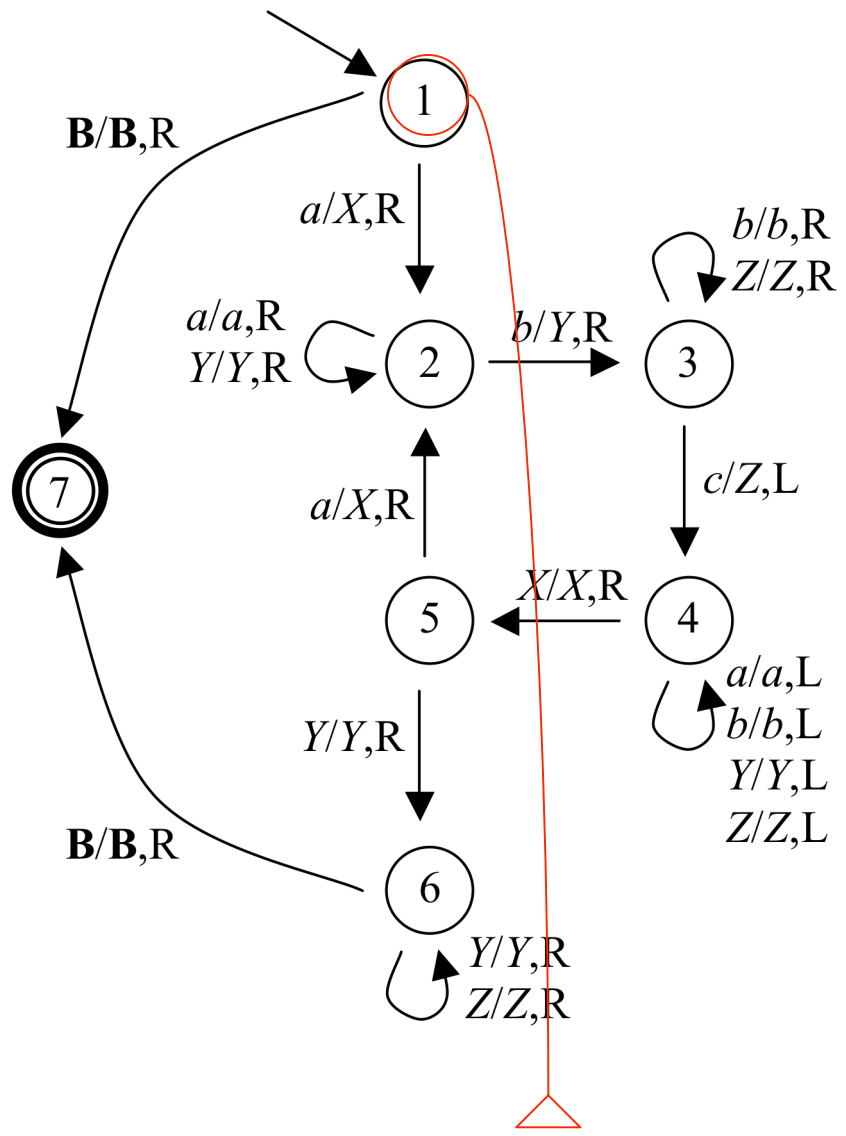


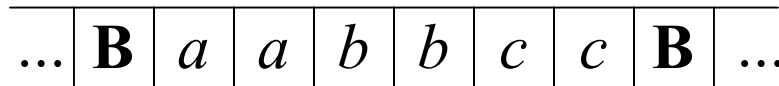
Strategy For $\{a^n b^n c^n\}$

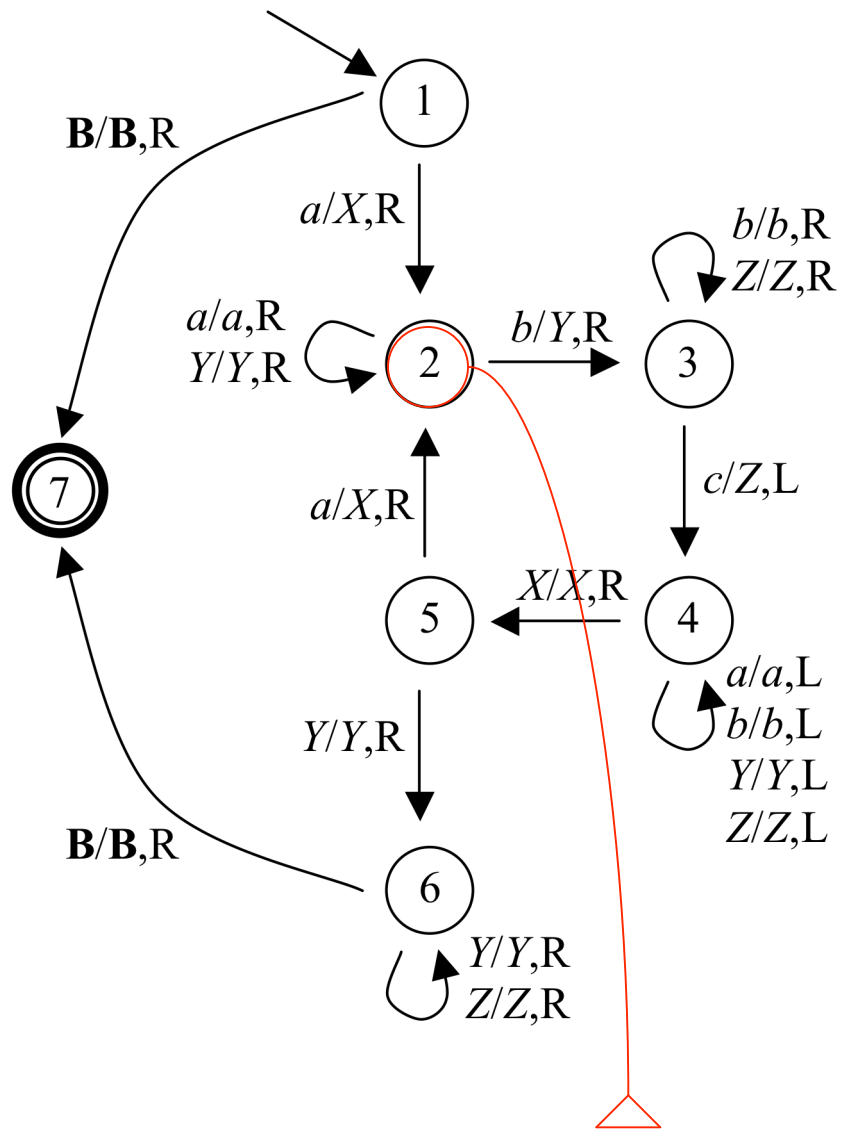
1. If the current symbol is **B**, go to step 7. If the current symbol is *a*, write an *X* over it and go to step 2.
2. Move right past any *a*s and *Y*s. At the first *b*, write *Y* over it and go to step 3.
3. Move right past any *b*s and *Z*s. At the first *c*, write *Z* over it and go to step 4.
4. Move left past any *a*s, *b*s, *Z*s, and *Y*s. At the first *X*, move right 1 symbol and go to step 5.
5. If the current symbol is *a*, write *X* and go to step 2. If the current symbol is *Y* go to step 6.
6. Move right past any *Y*s and *Z*s. At the first **B**, go to step 7.
7. Accept.



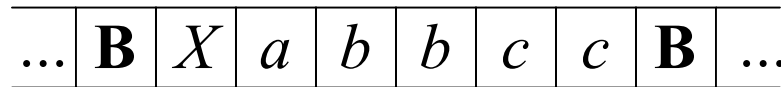


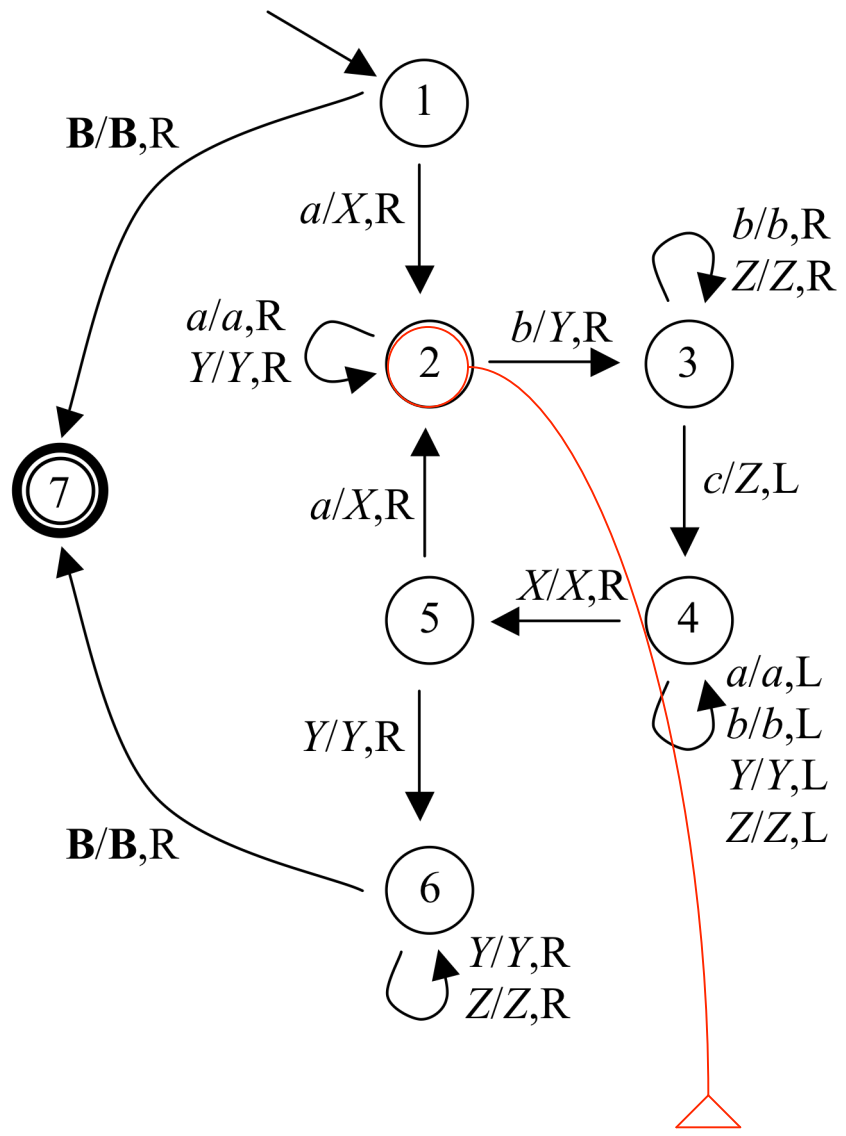
Example: *aabbcc*



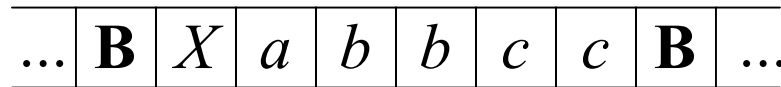


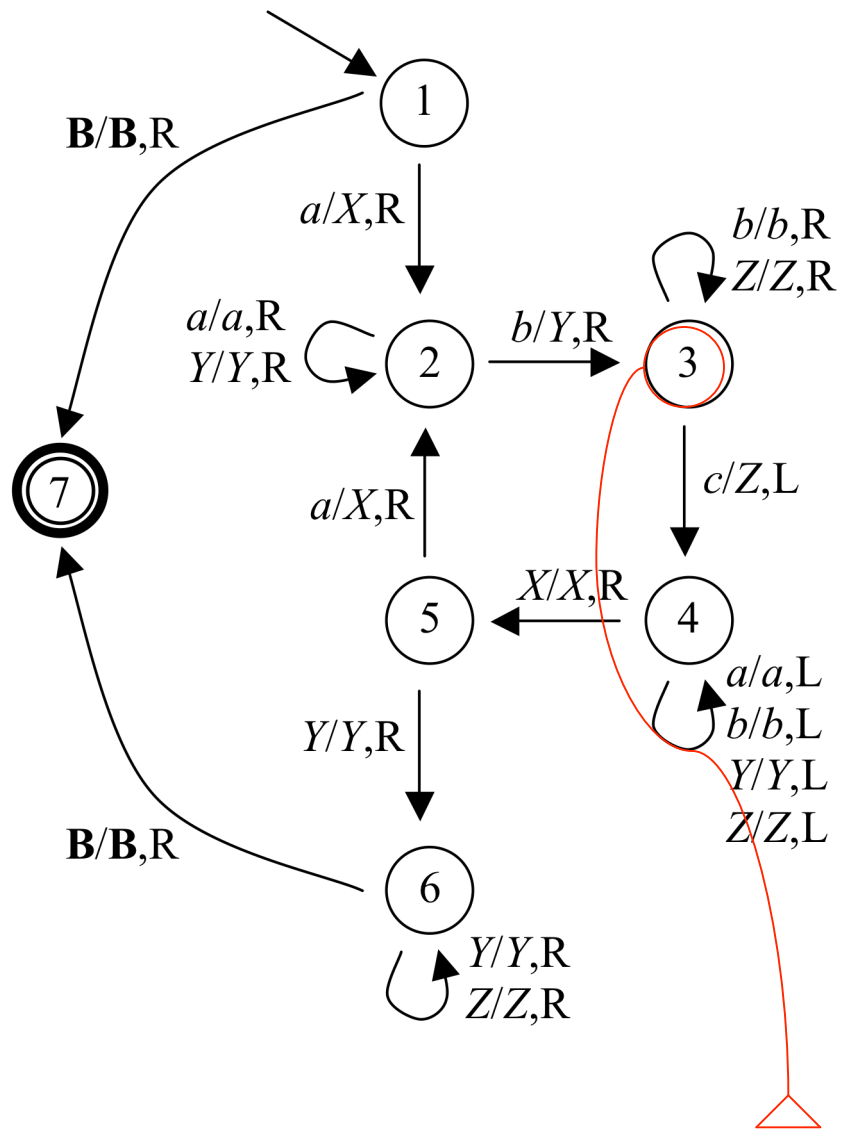
Example: *aabbcc*



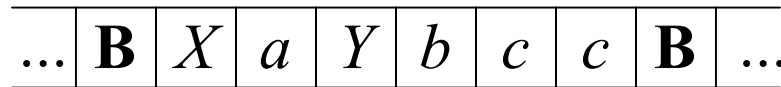


Example: *aabbcc*

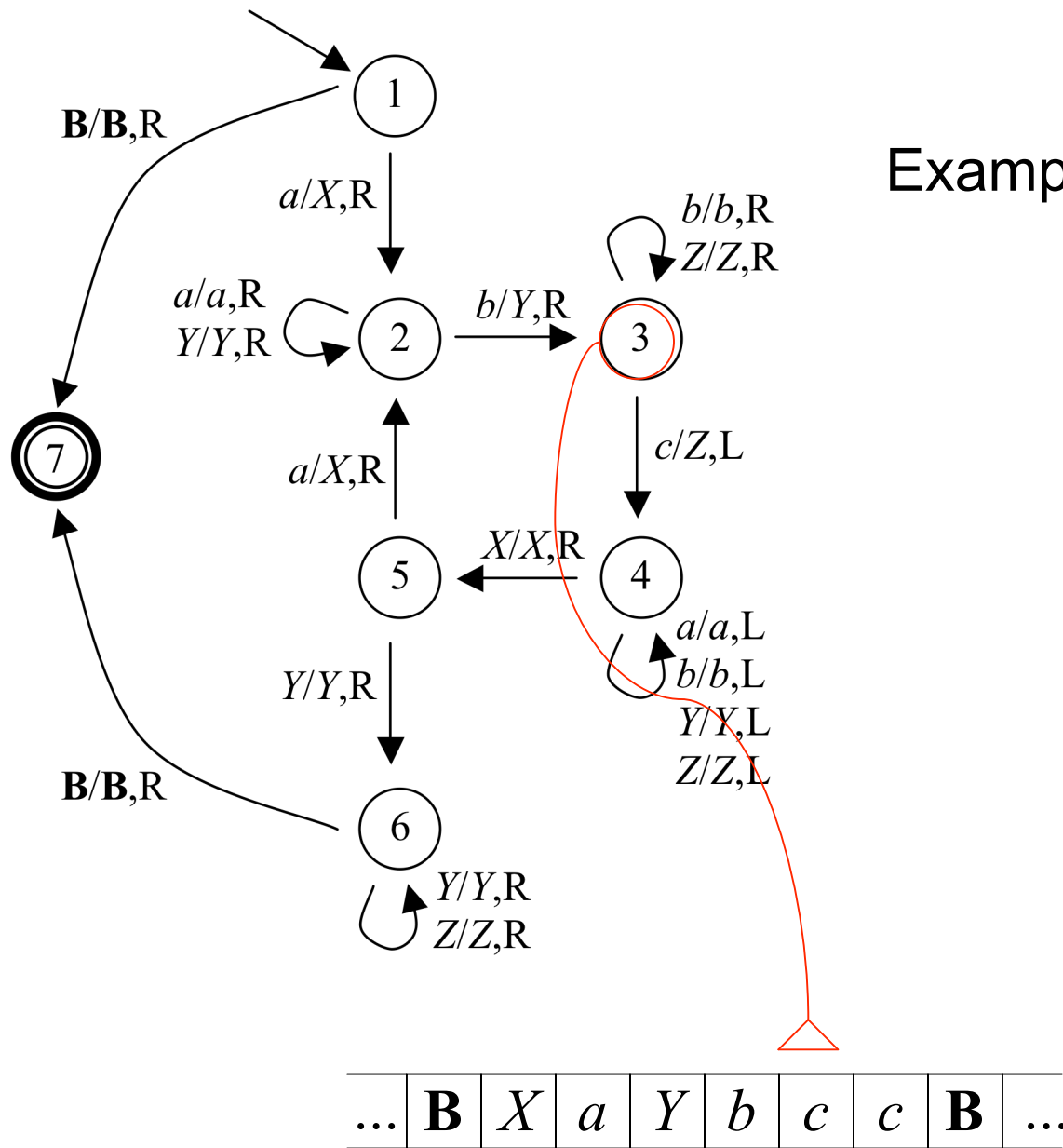




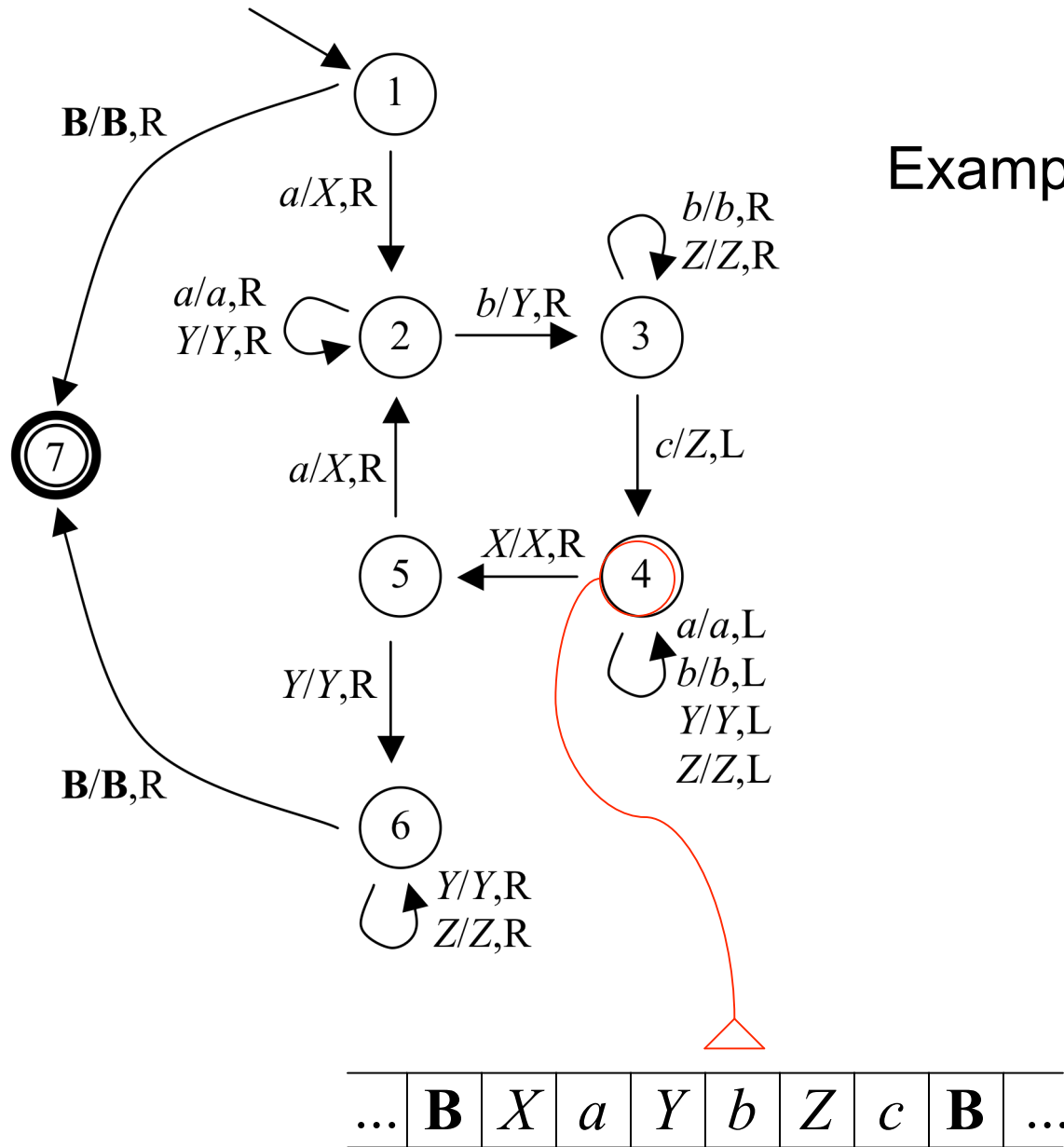
Example: *aabbcc*

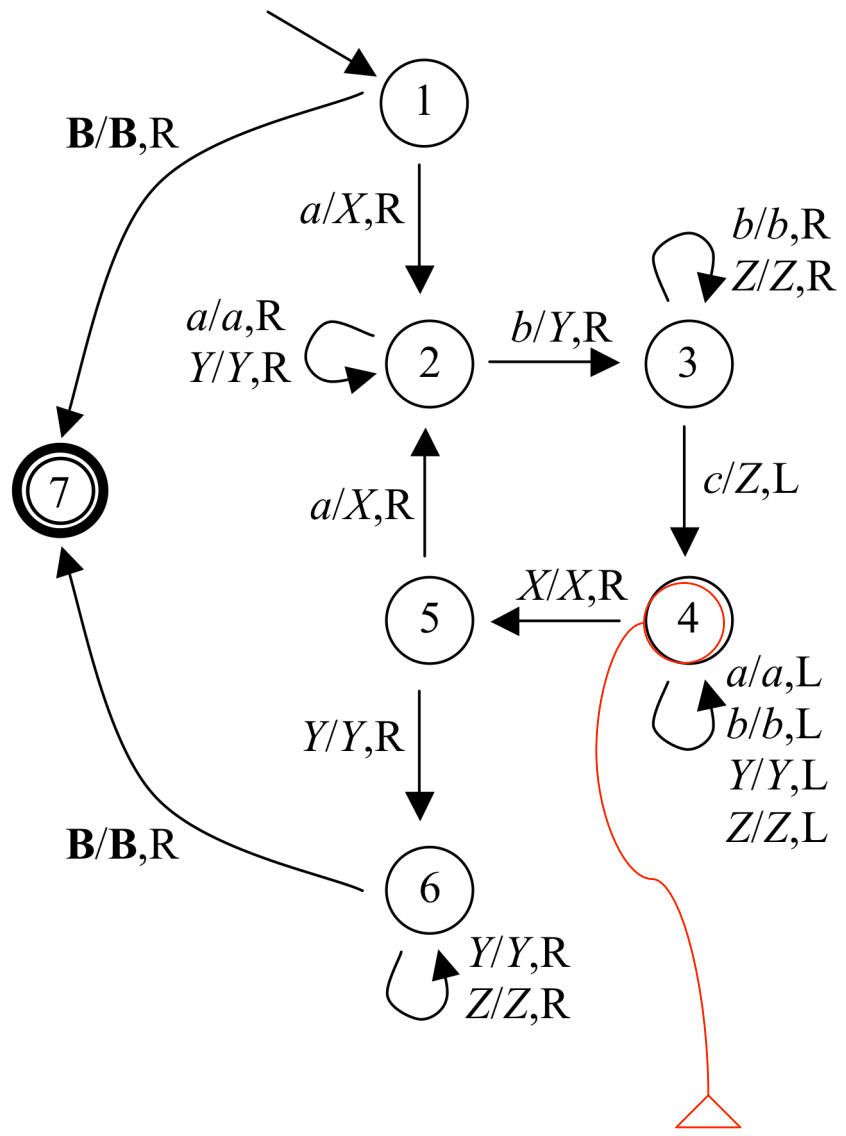


Example: *aabbcc*

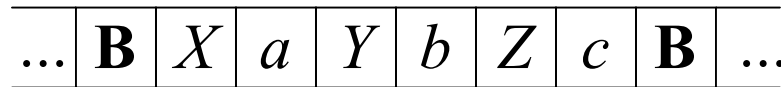


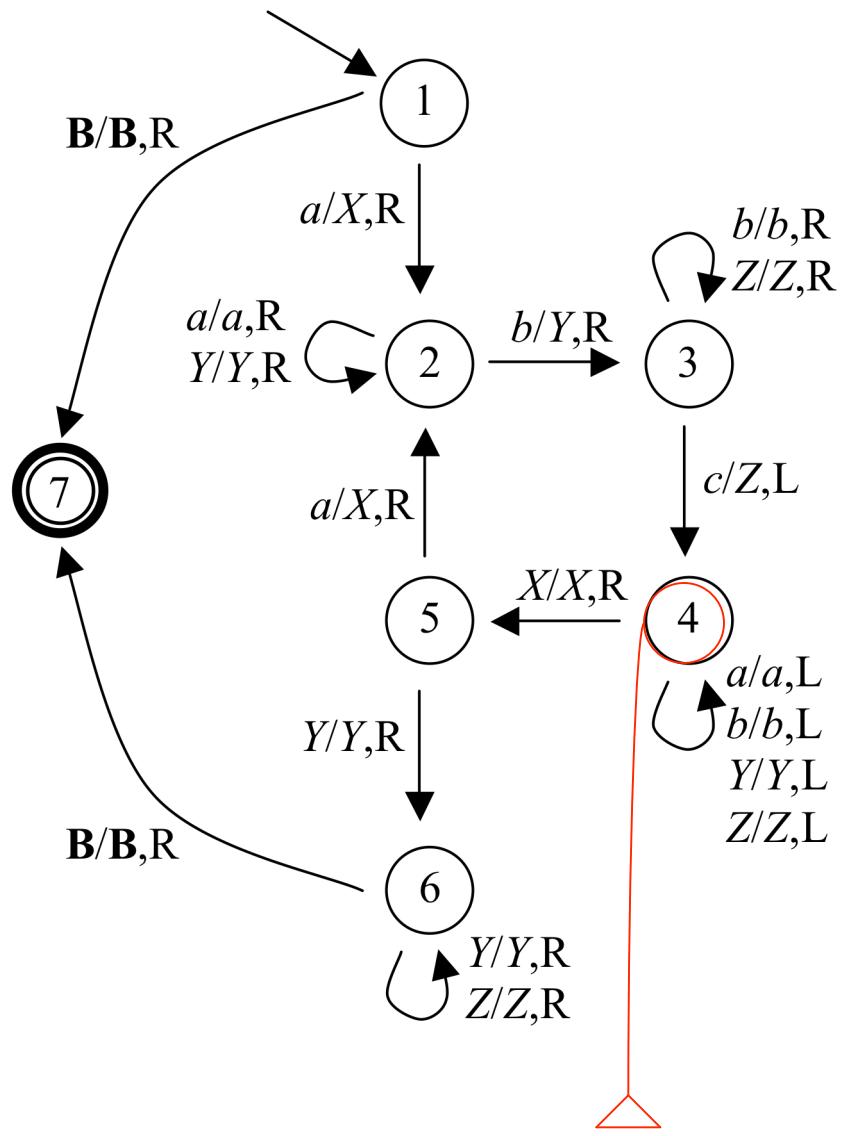
Example: *aabbcc*



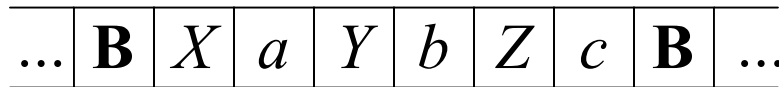


Example: *aabbcc*

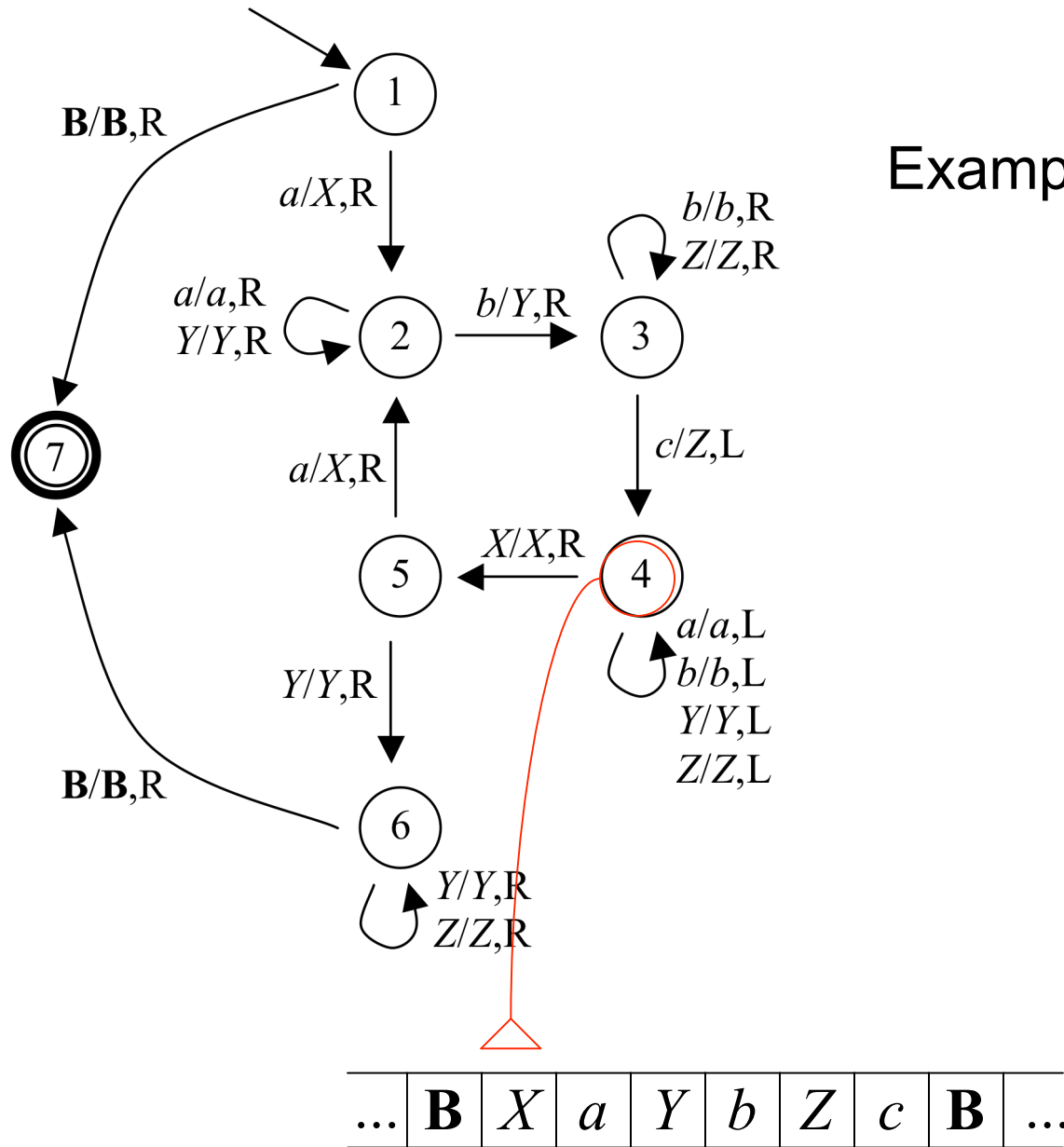




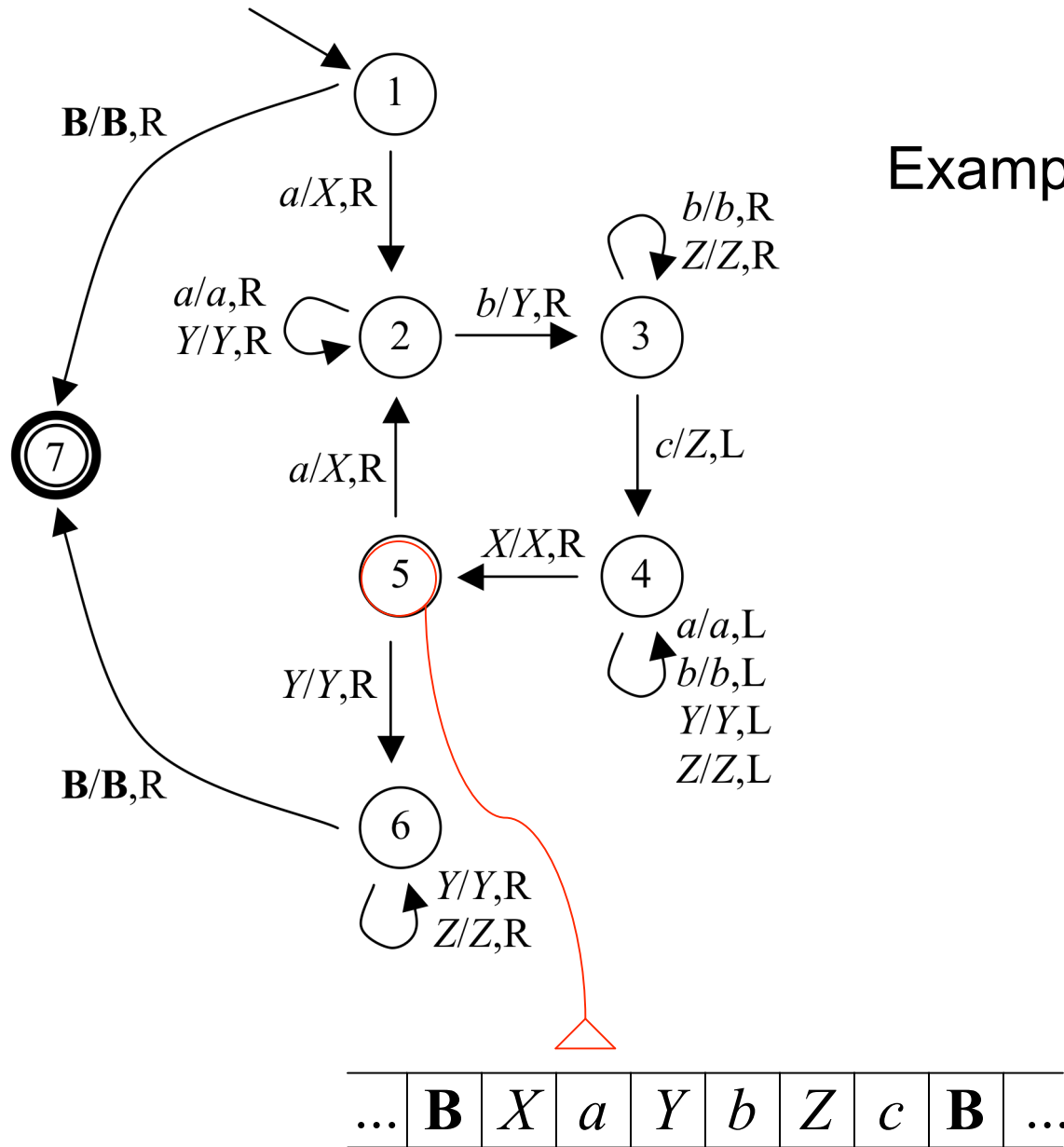
Example: *aabbcc*

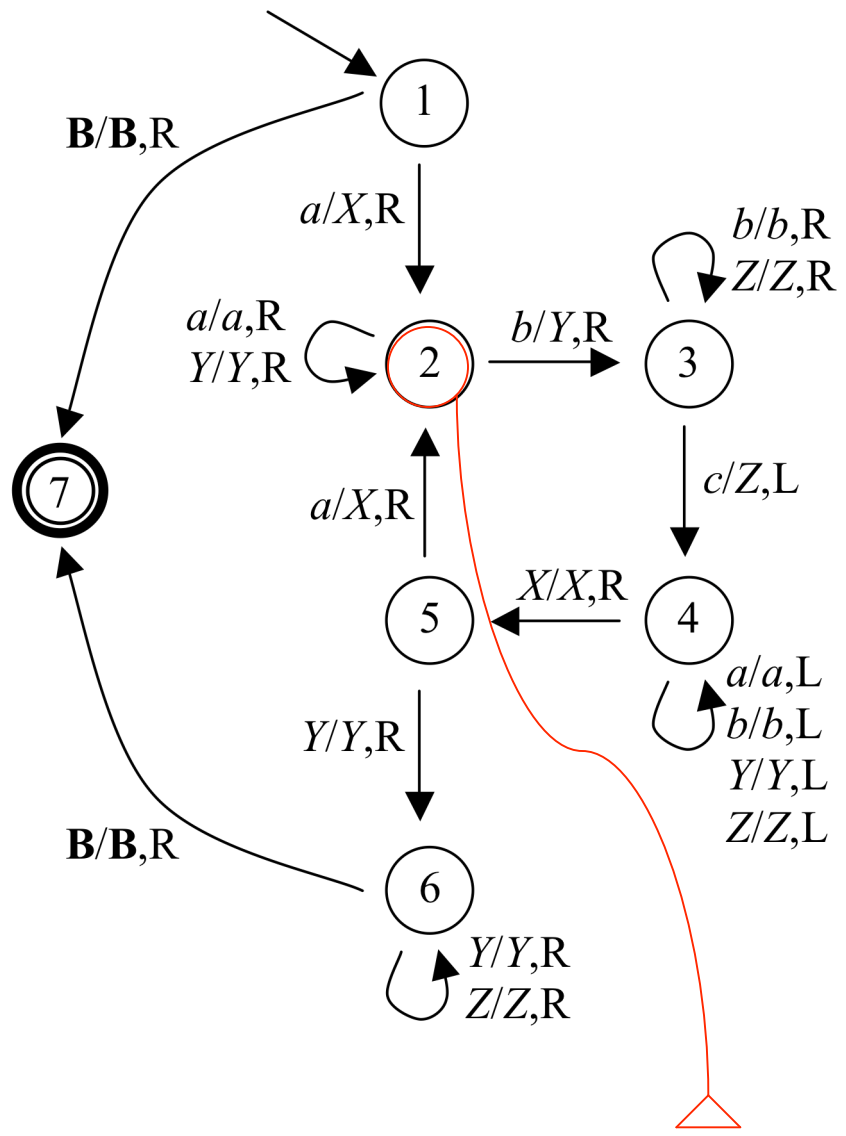


Example: *aabbcc*

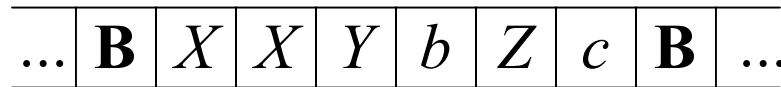


Example: *aabbcc*

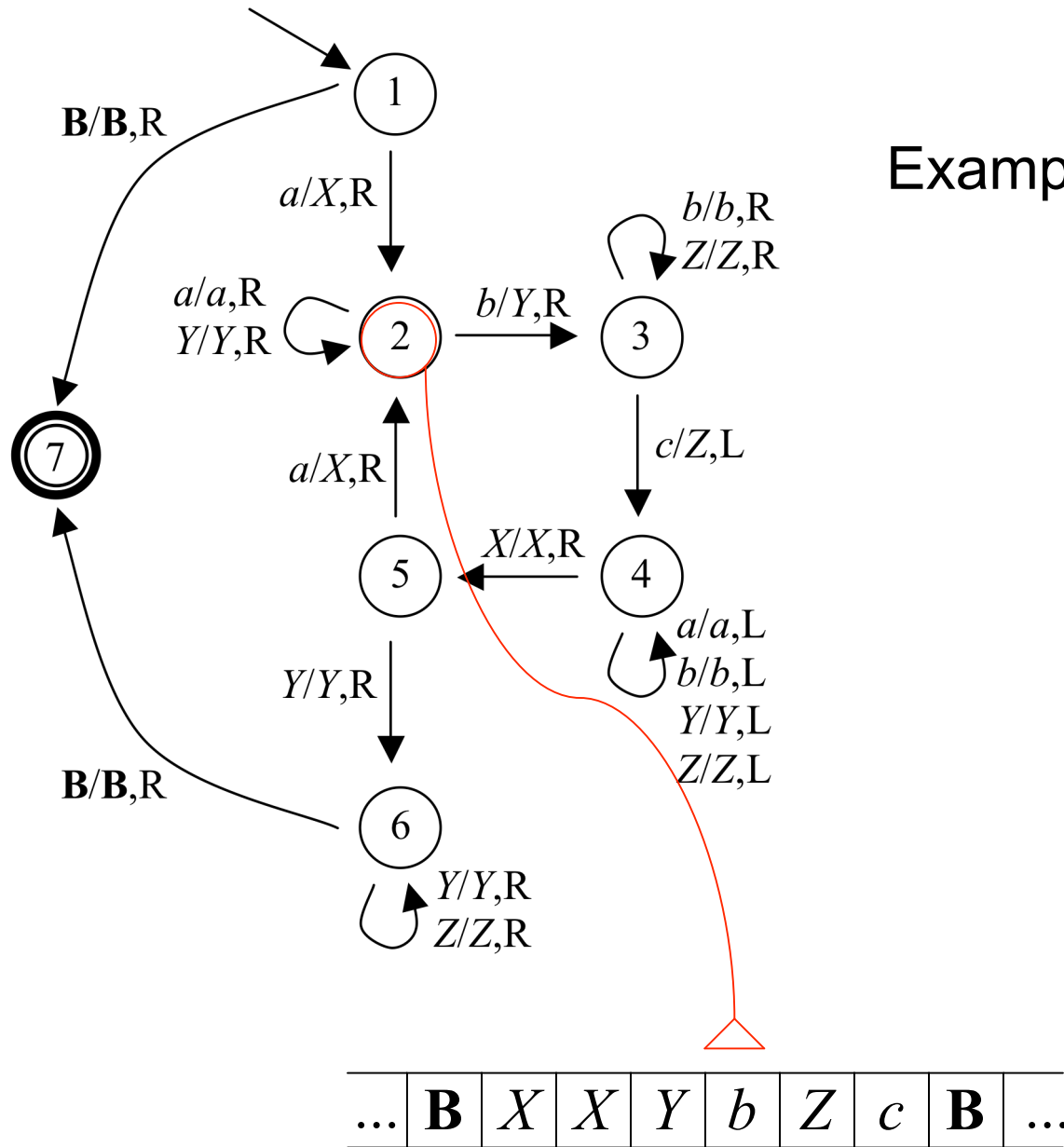


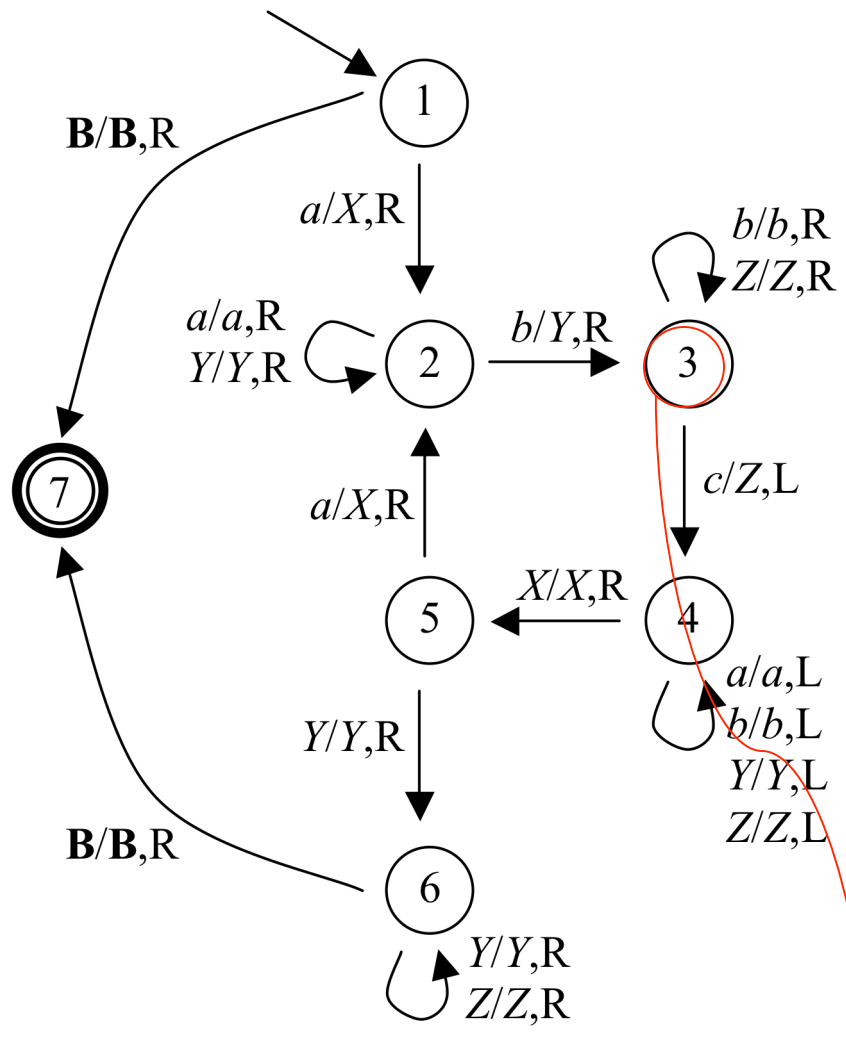


Example: *aabbcc*

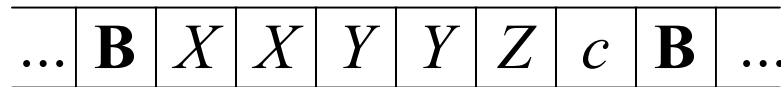


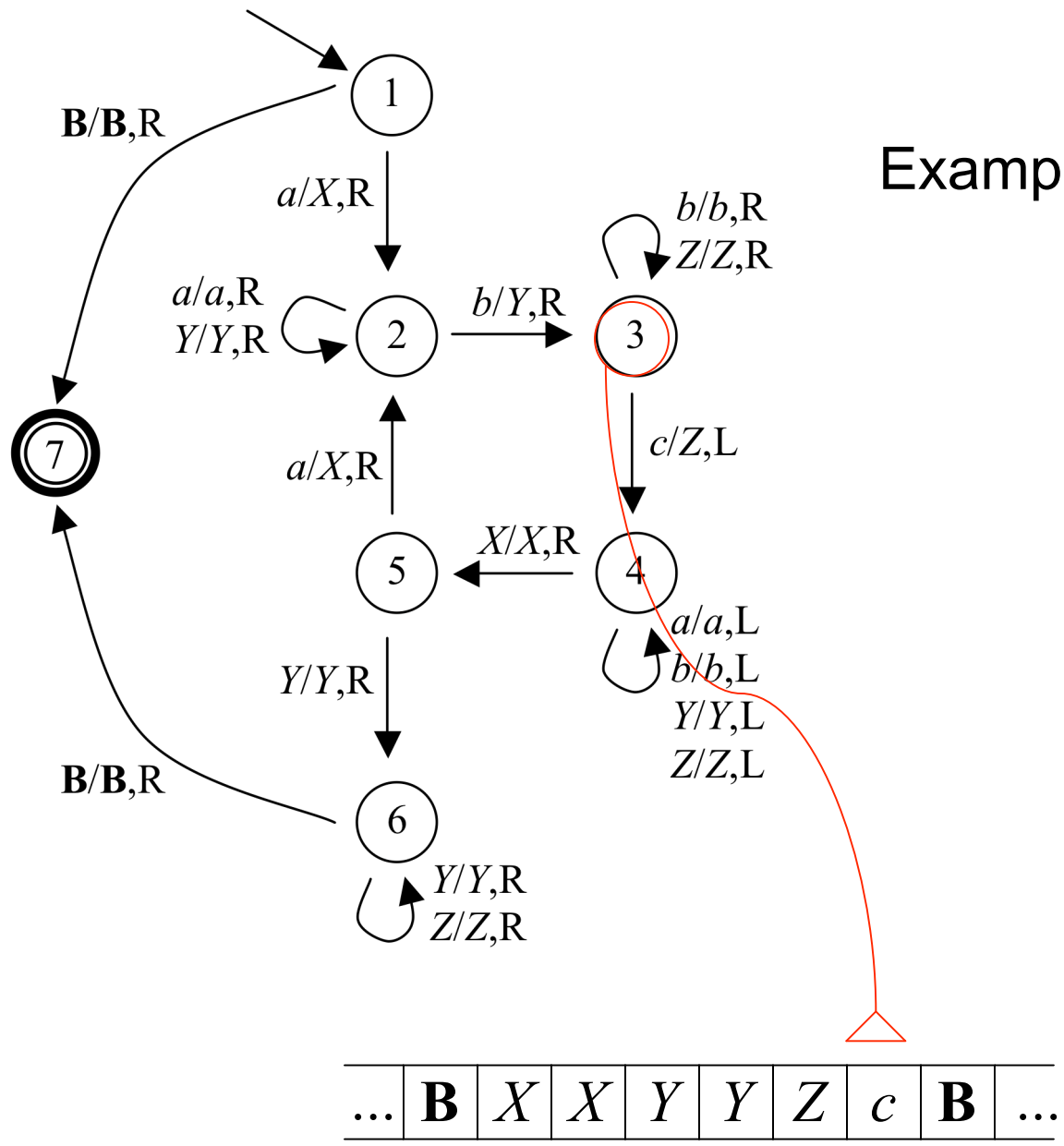
Example: *aabbcc*





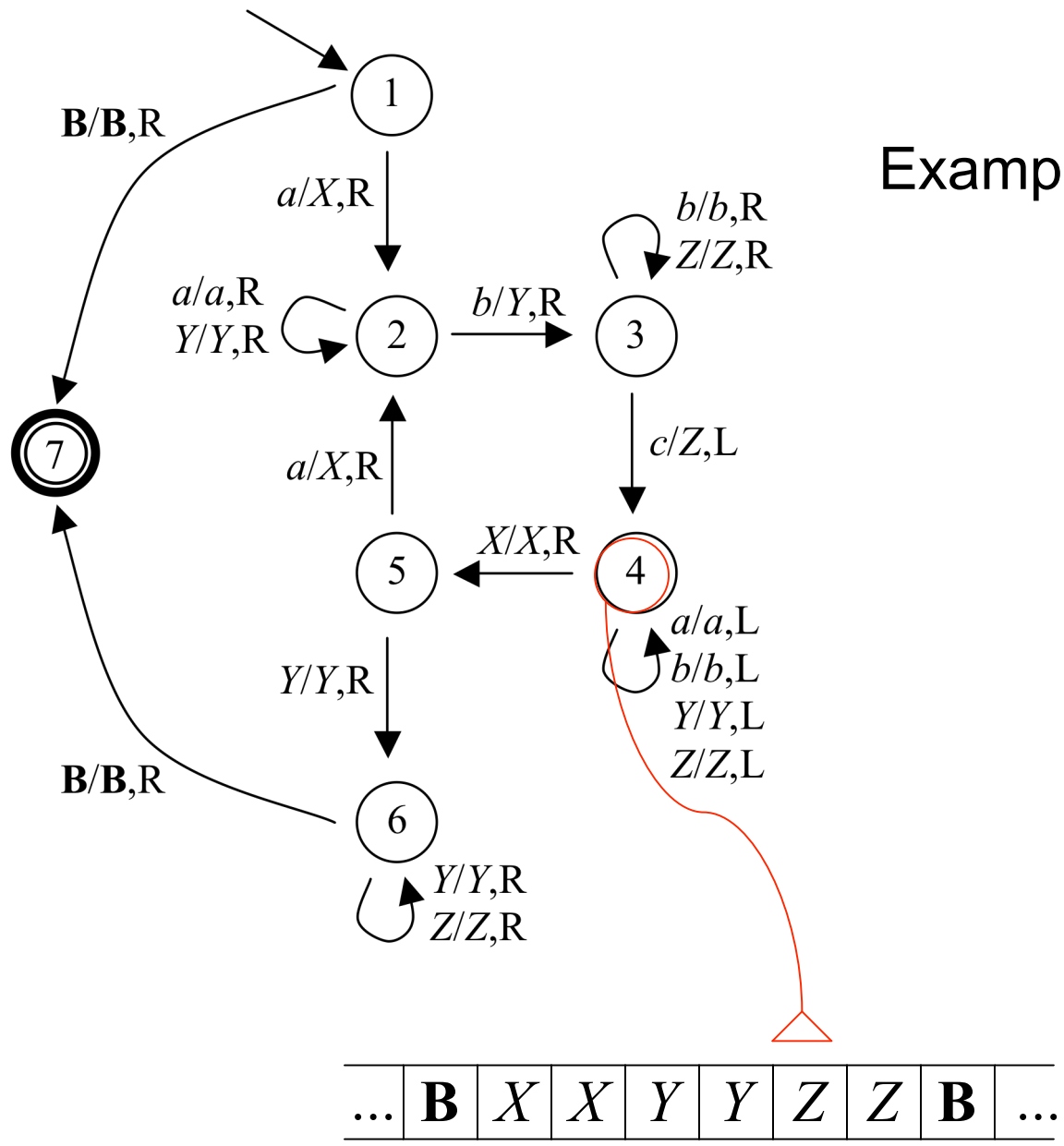
Example: *aabbcc*

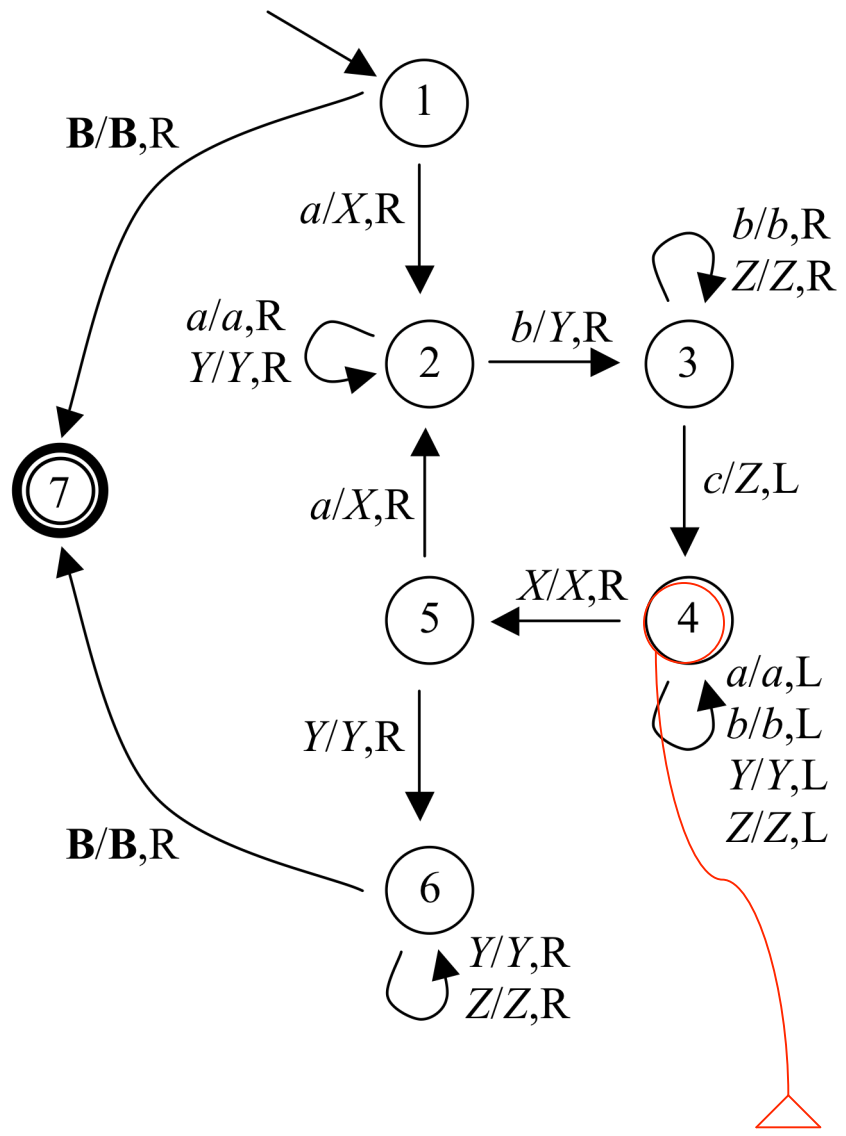




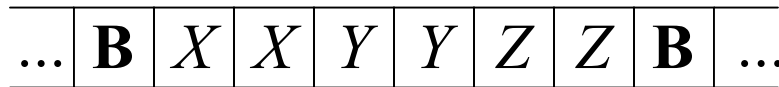
Example: *aabbcc*

Example: *aabbcc*

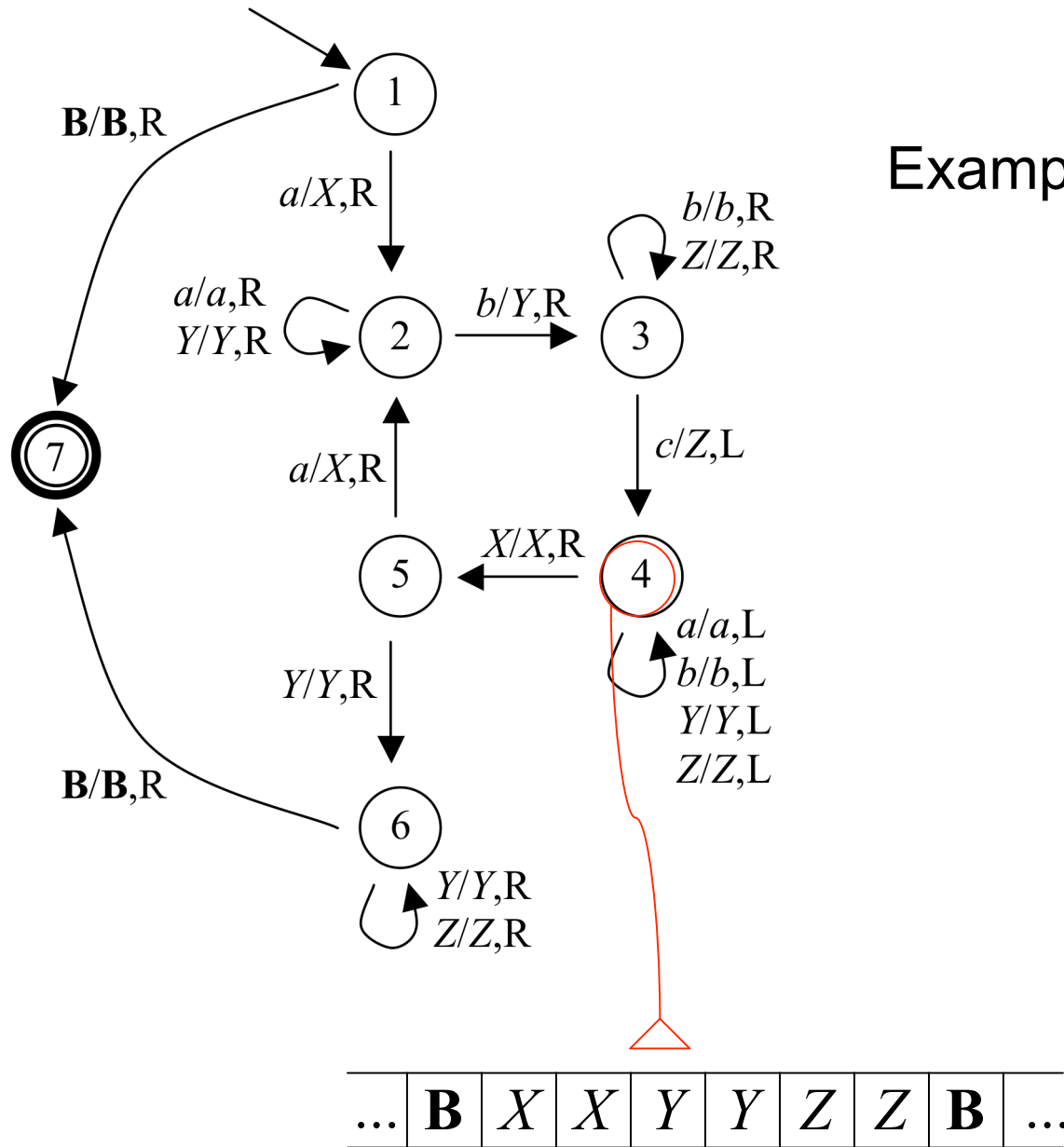


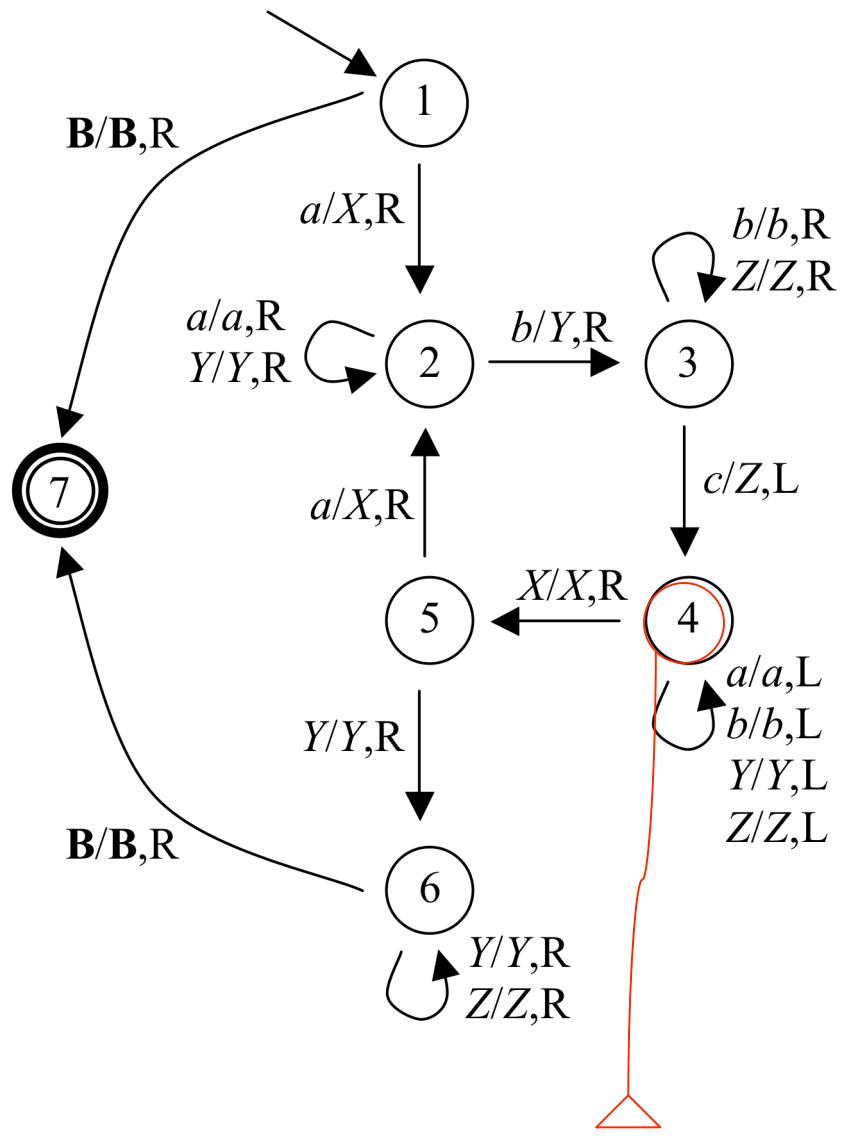


Example: *aabbcc*

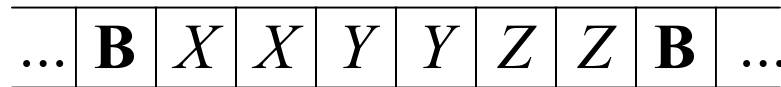


Example: *aabbcc*

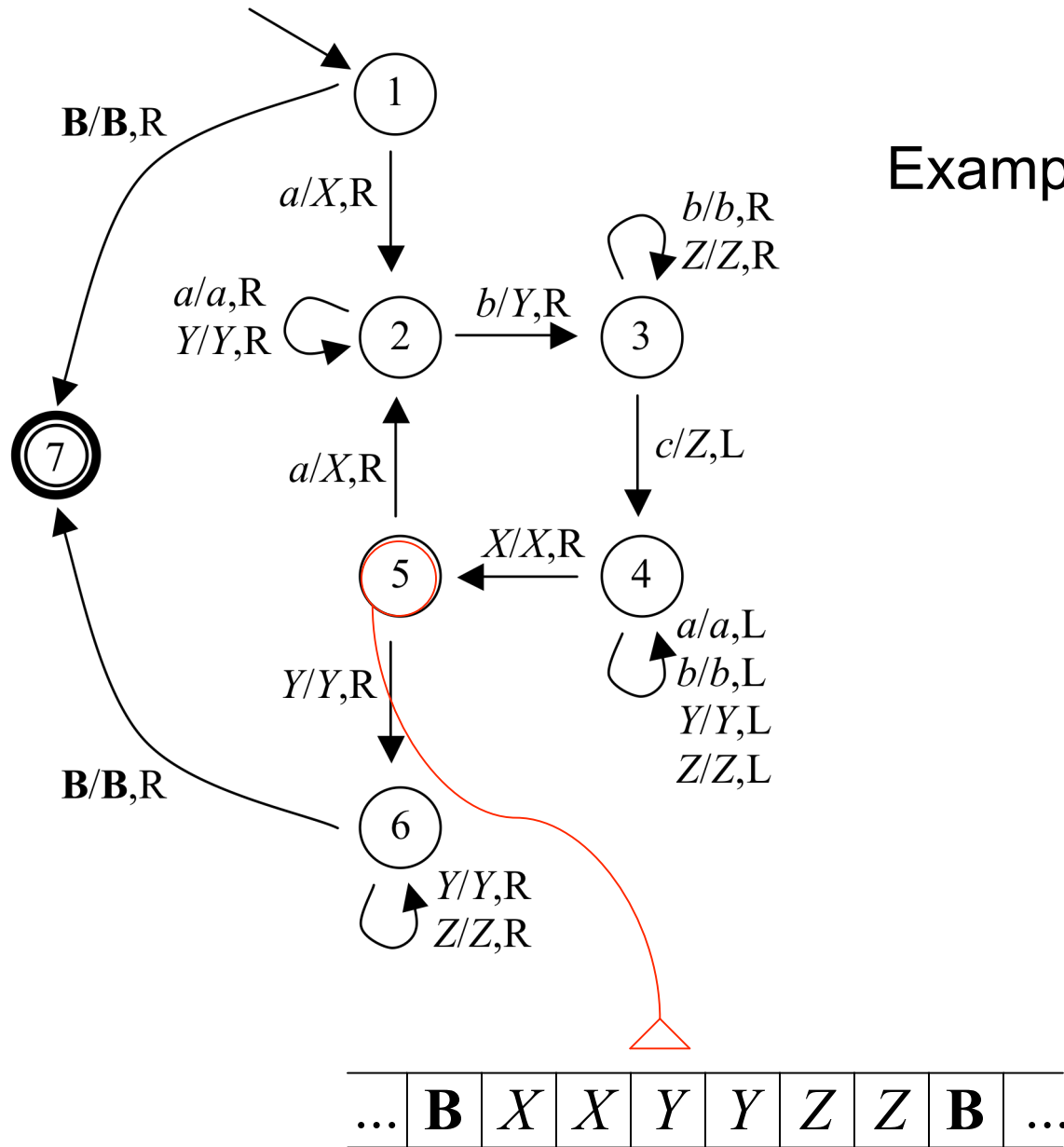


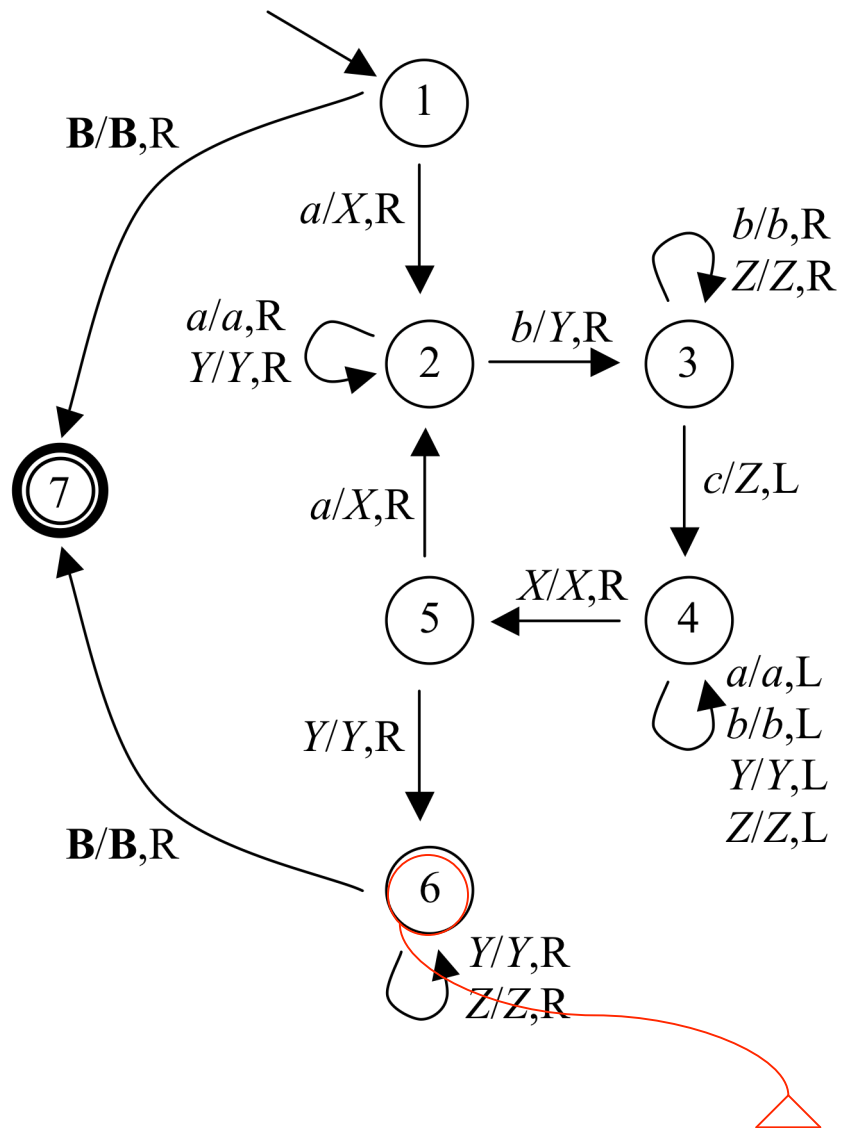


Example: *aabbcc*

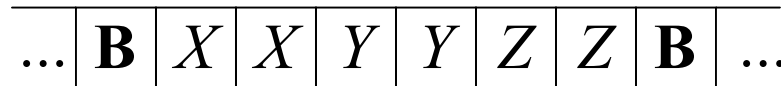


Example: *aabbcc*

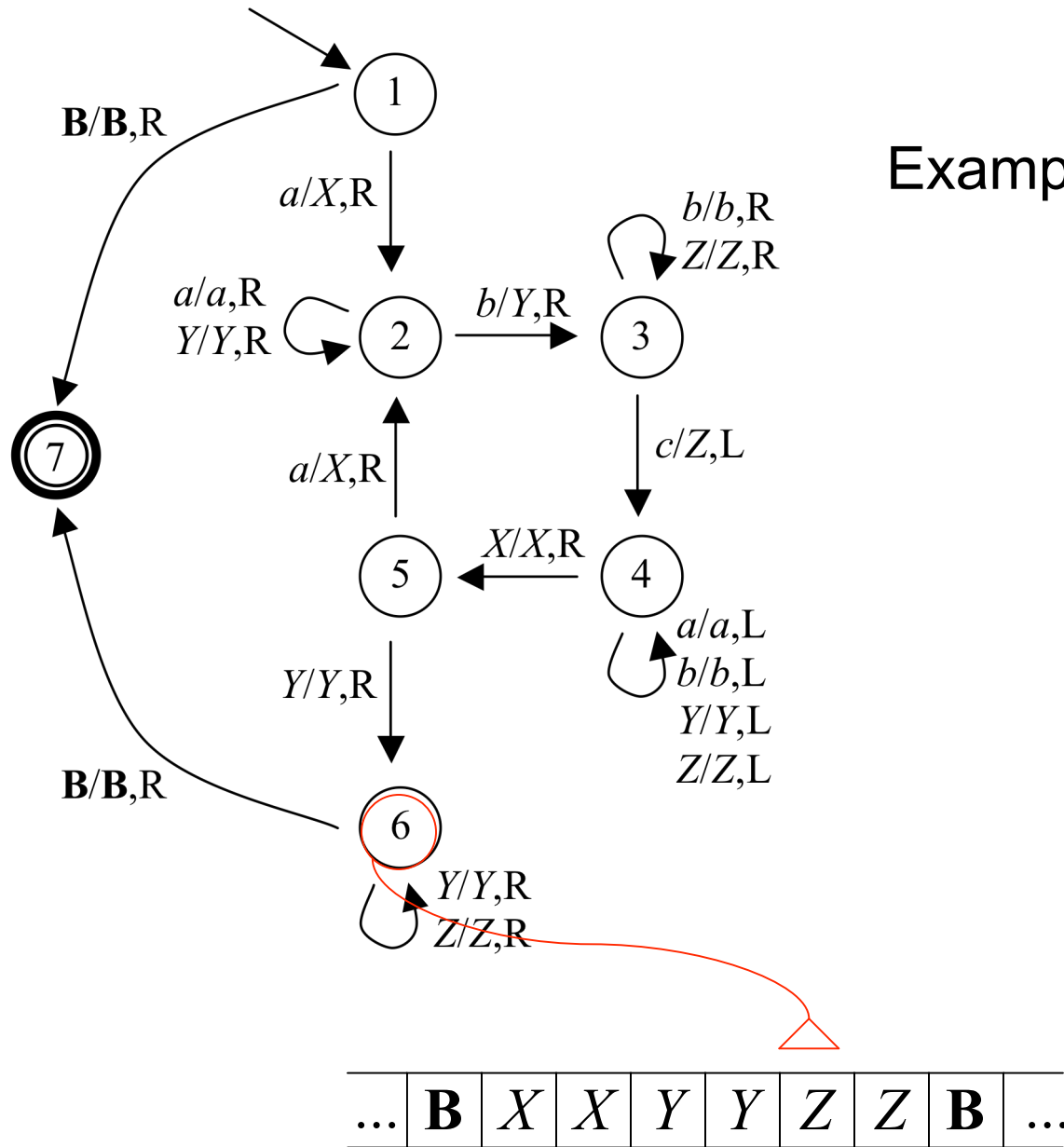




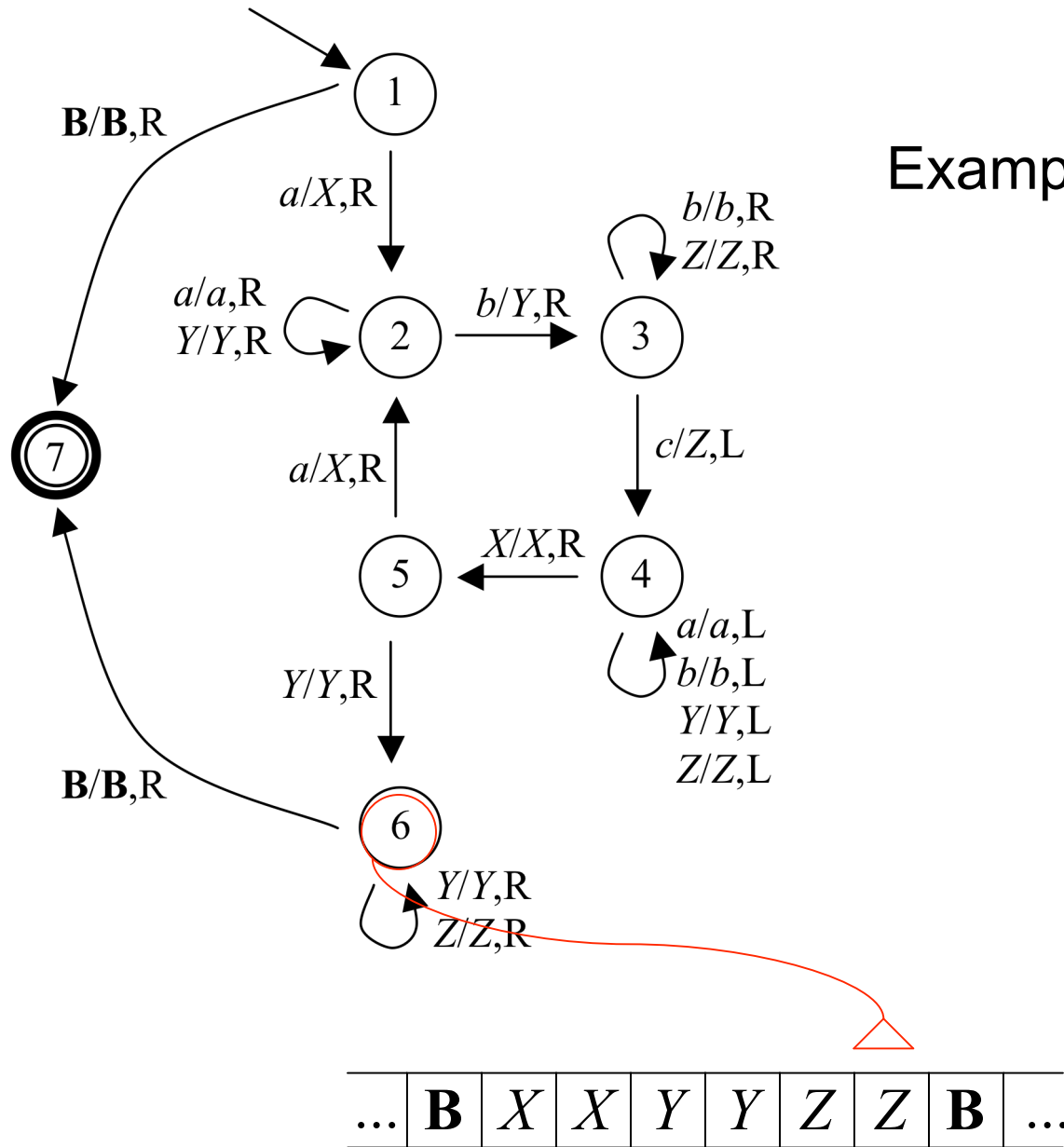
Example: *aabbcc*



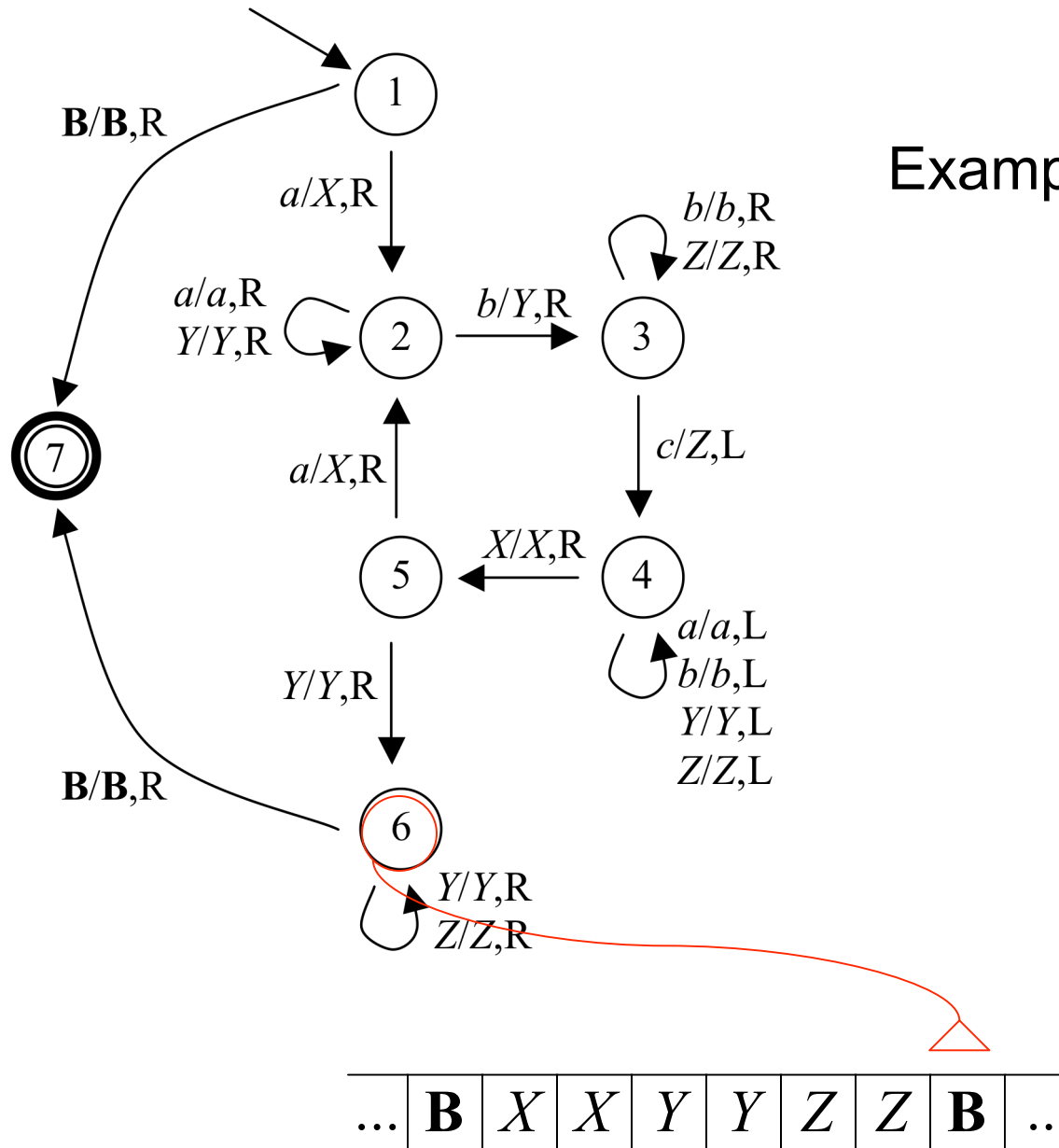
Example: *aabbcc*



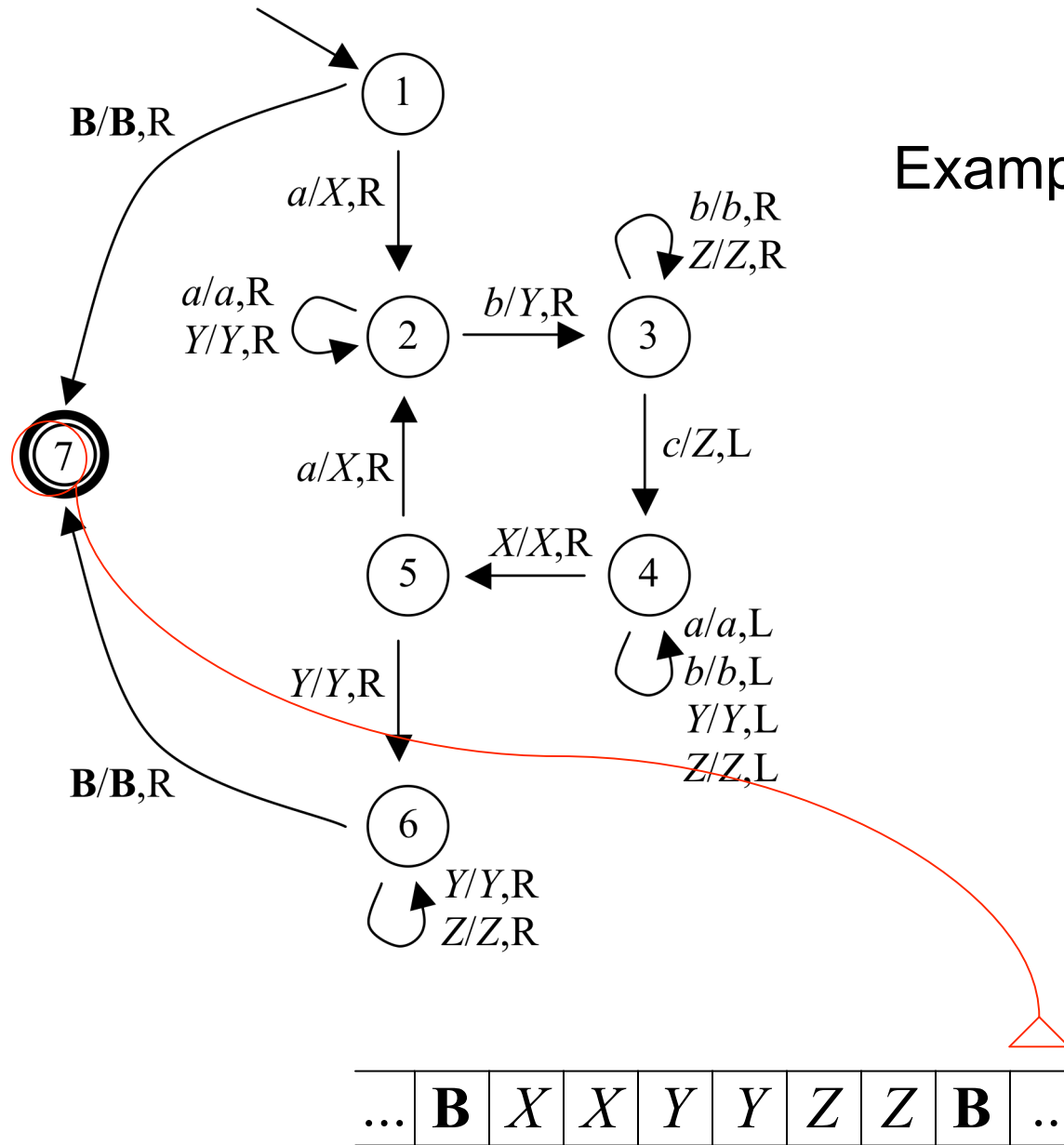
Example: *aabbcc*



Example: *aabbcc*



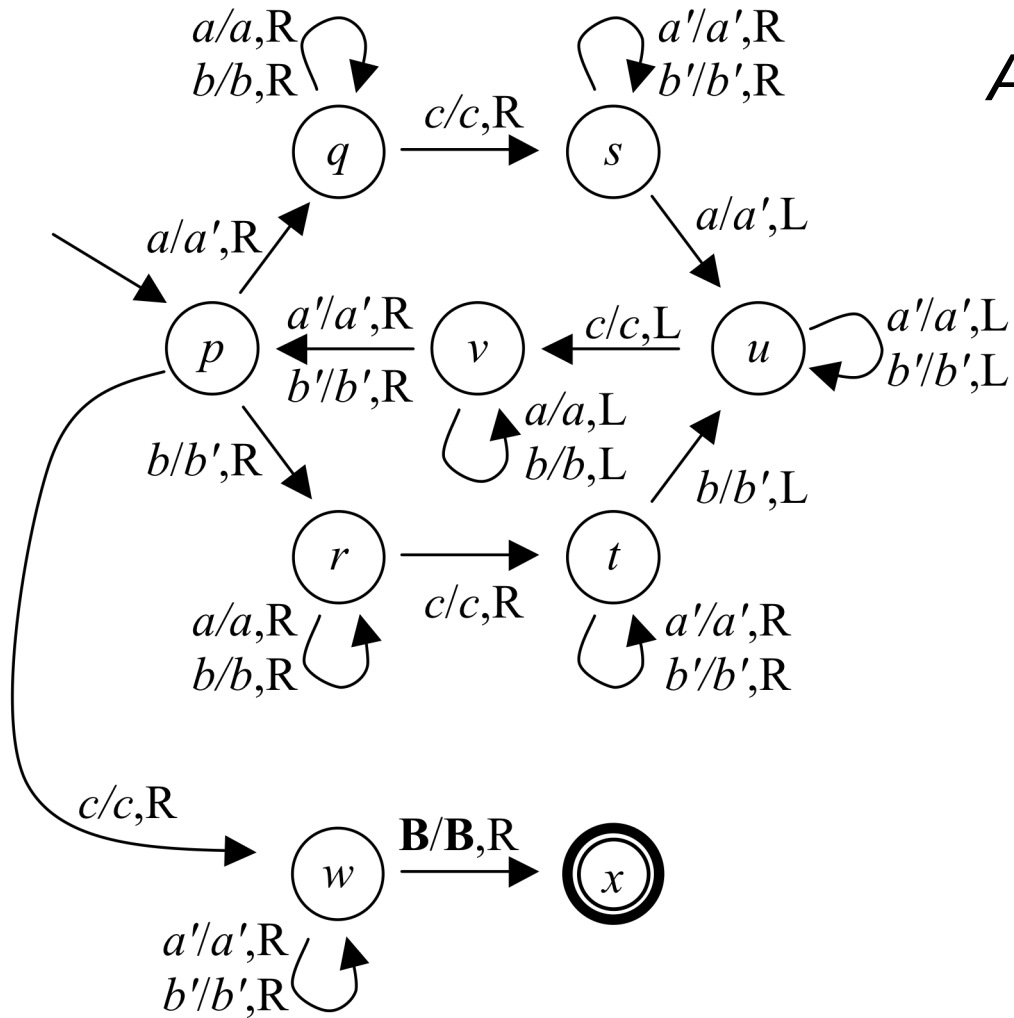
Example: *aabbcc*



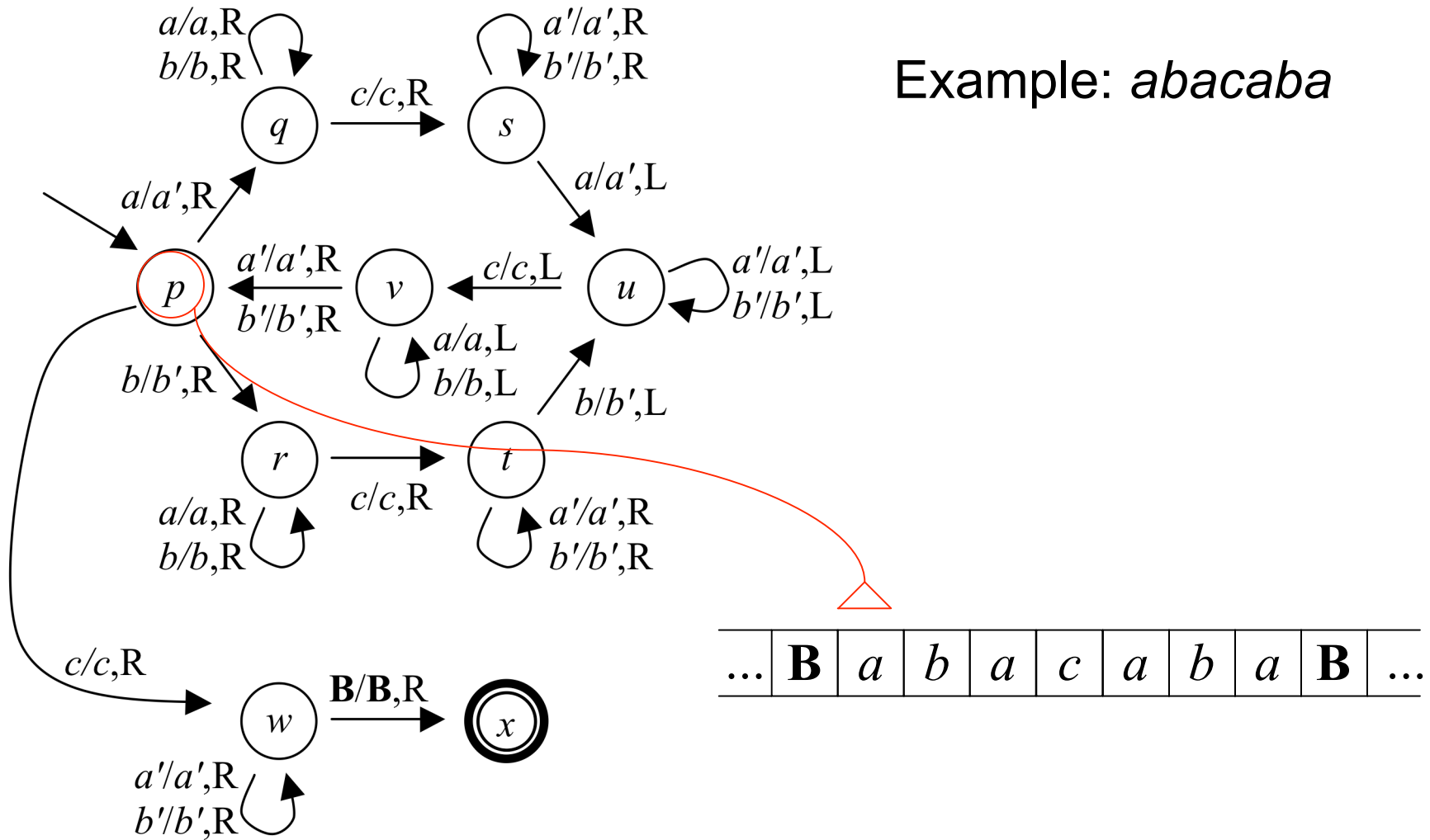
$$\{xcx \mid x \in \{a,b\}^*\}$$

- Not context-free, as we've seen
- A TM for this language can work by checking each symbol in the first x against the corresponding symbol in the second x
- To keep track of where it is, it will *mark* those symbols that have already been checked
- That is, it will overwrite them with marked versions of the same symbols, for instance by overwriting a with a'

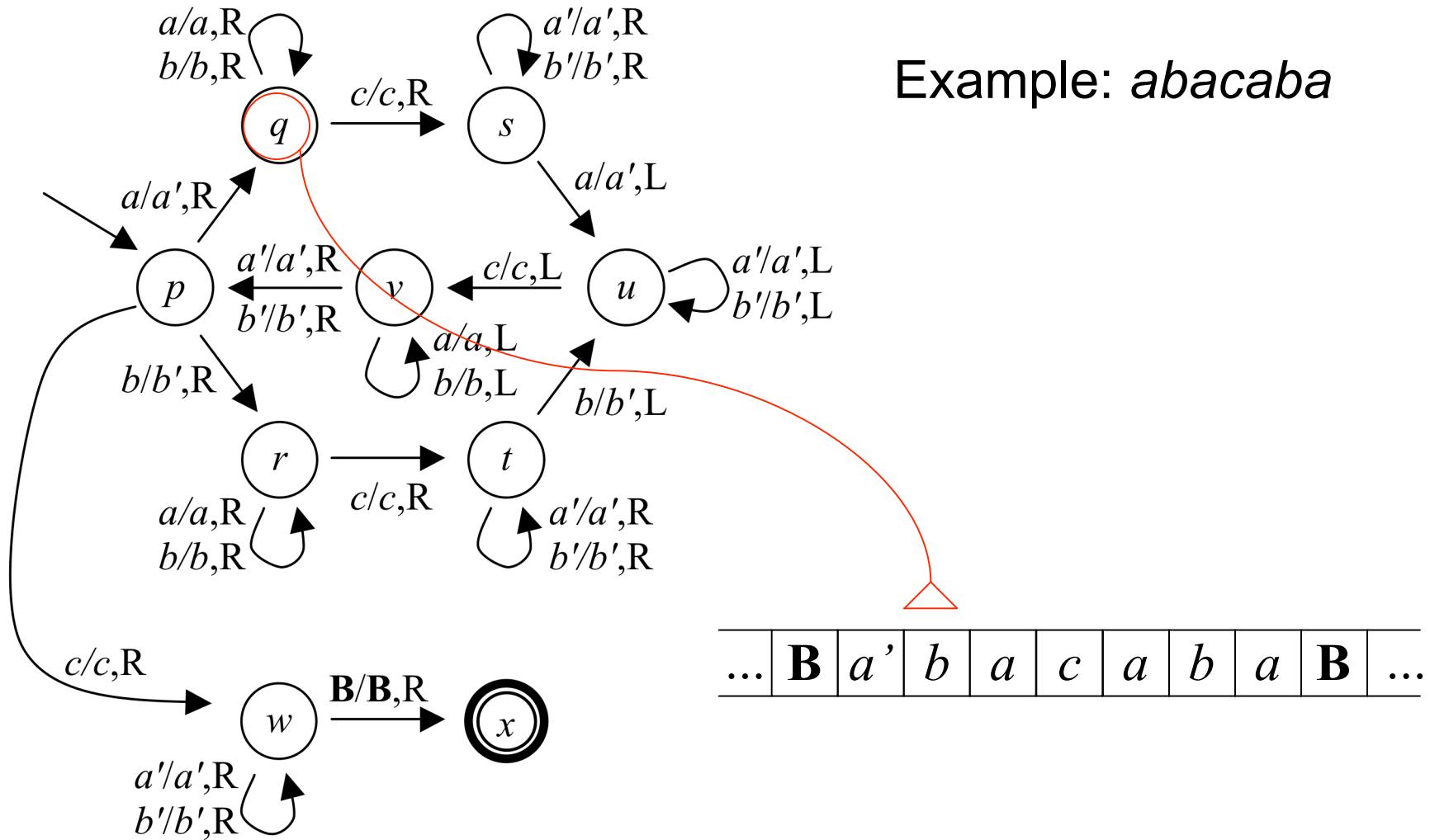
A TM For $\{xcx \mid x \in \{a,b\}^*\}$



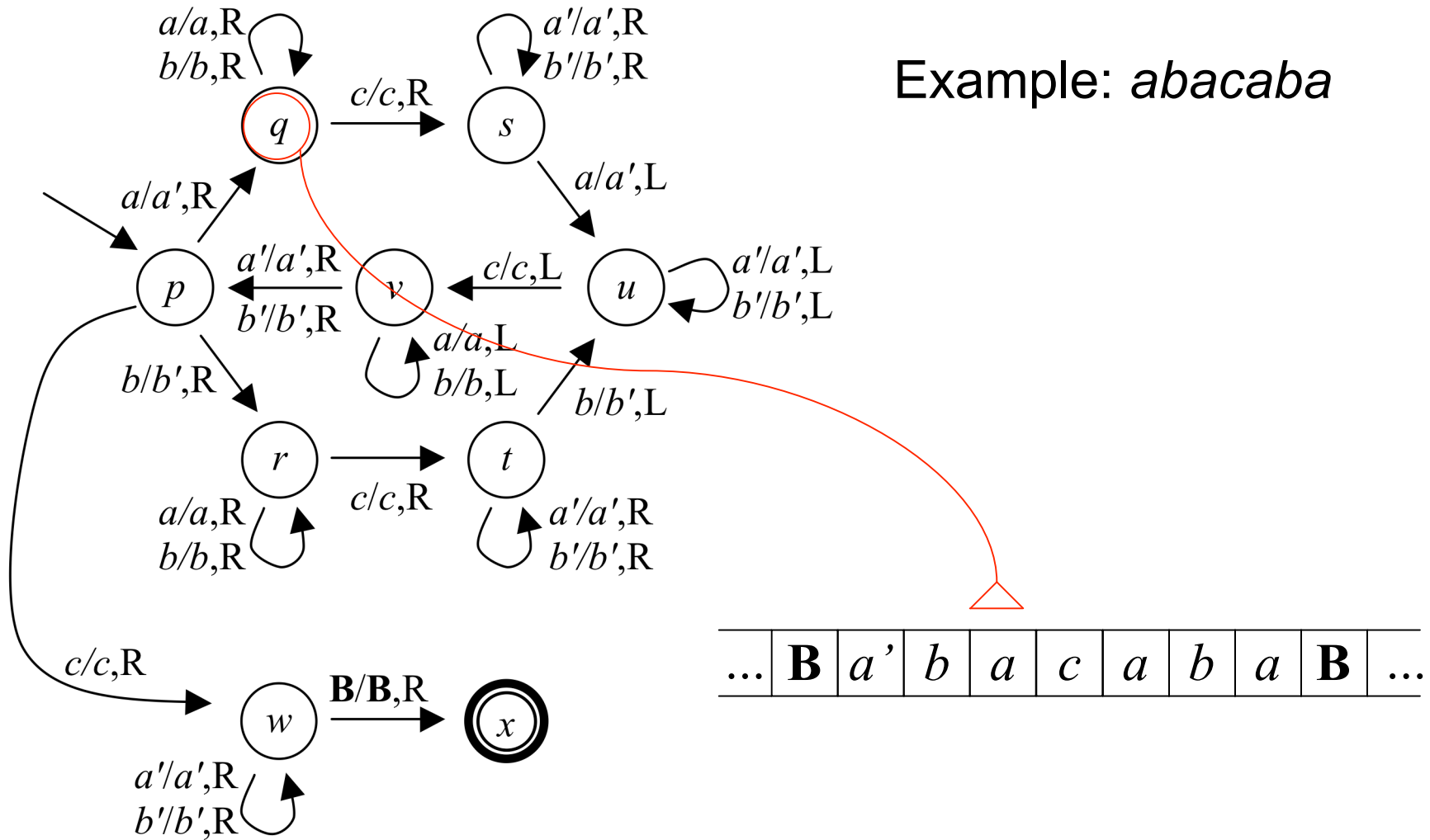
Example: *abacaba*



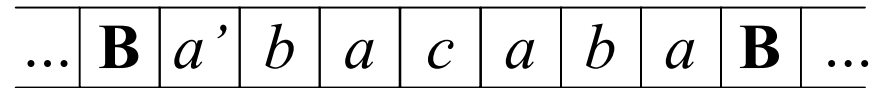
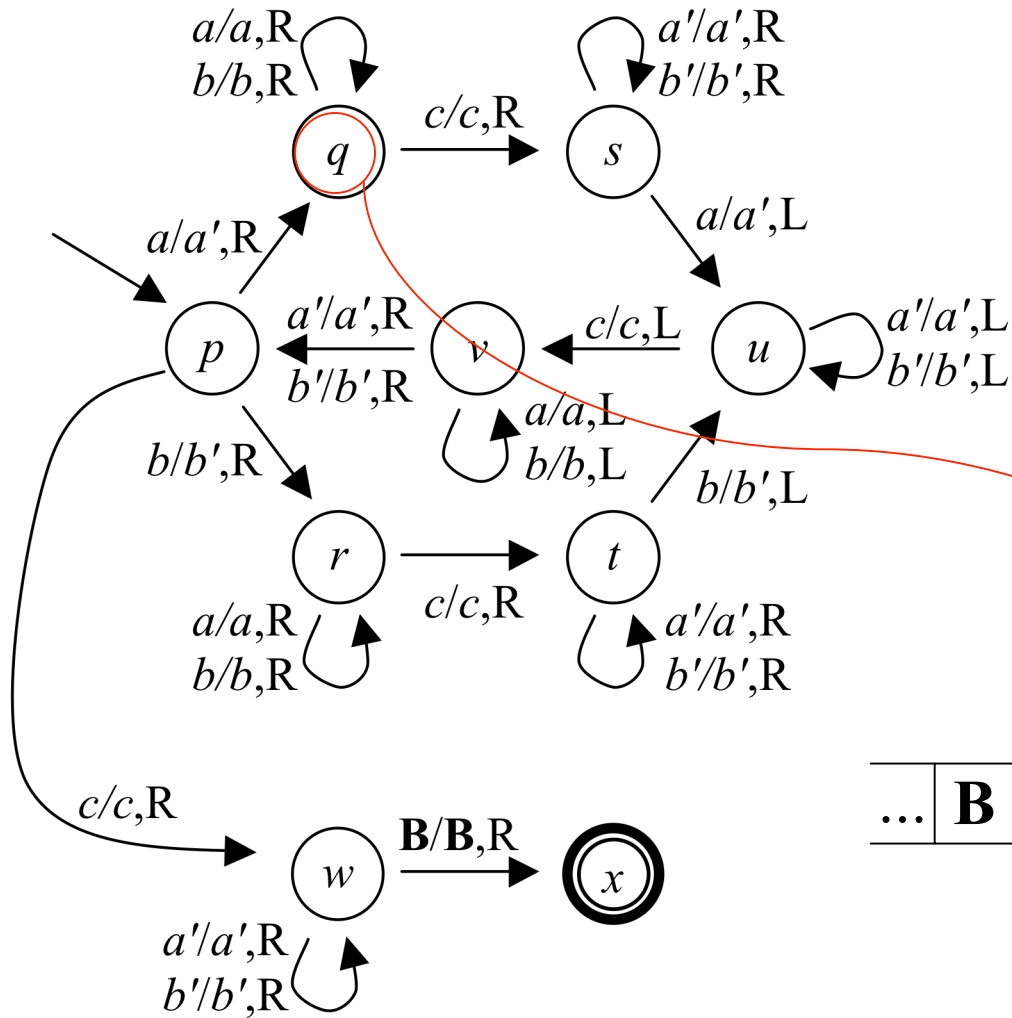
Example: *abacaba*



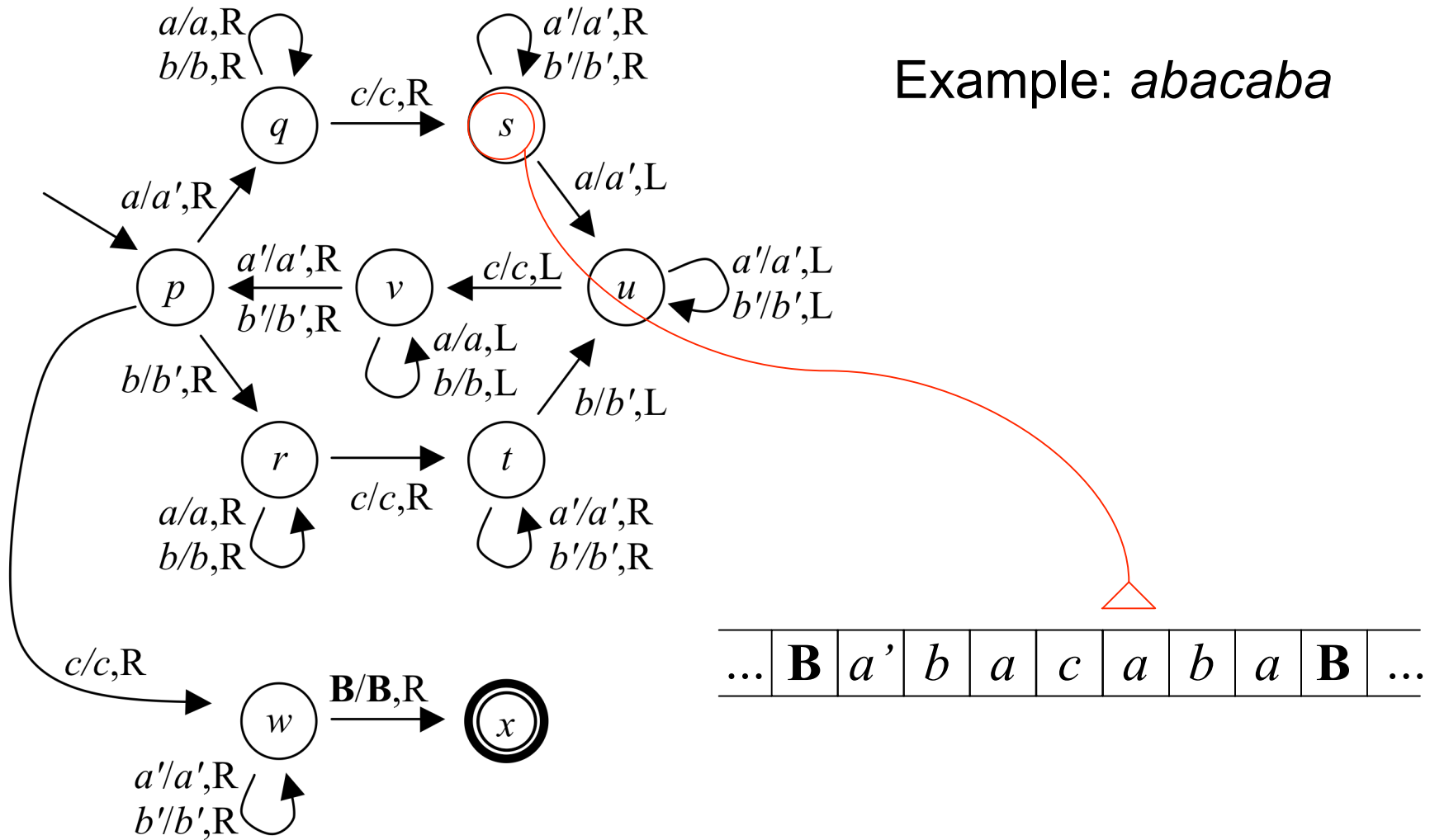
Example: *abacaba*



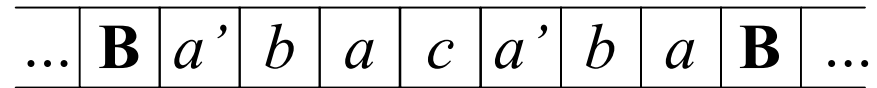
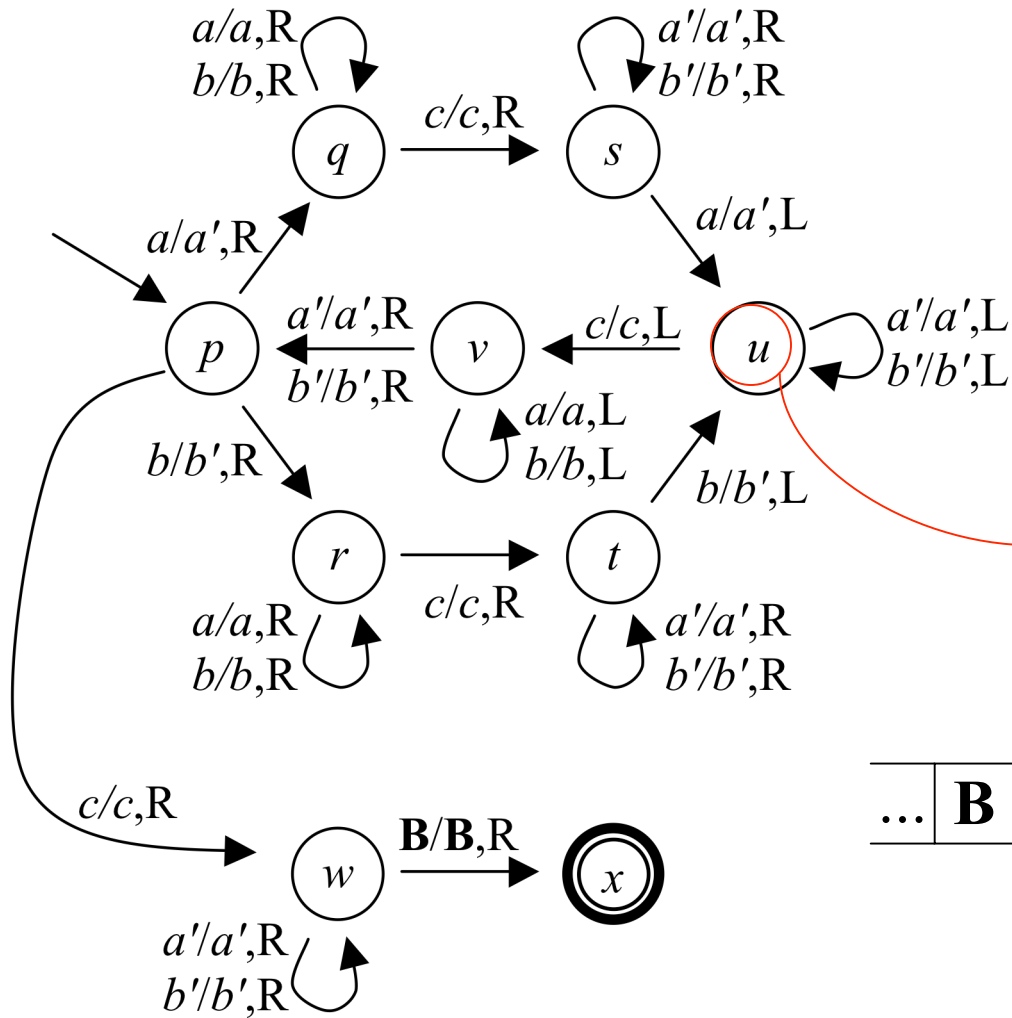
Example: *abacaba*



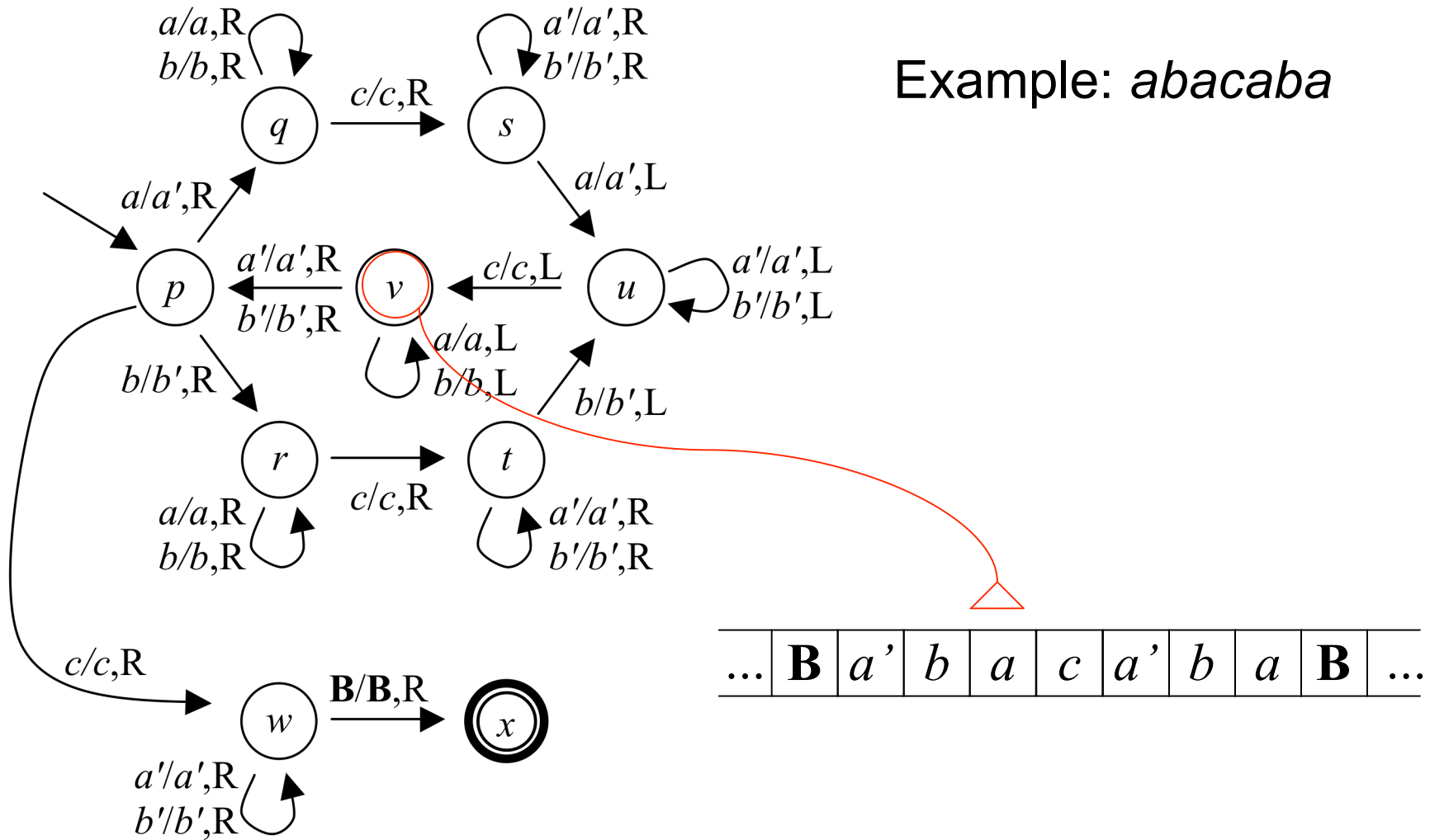
Example: *abacaba*



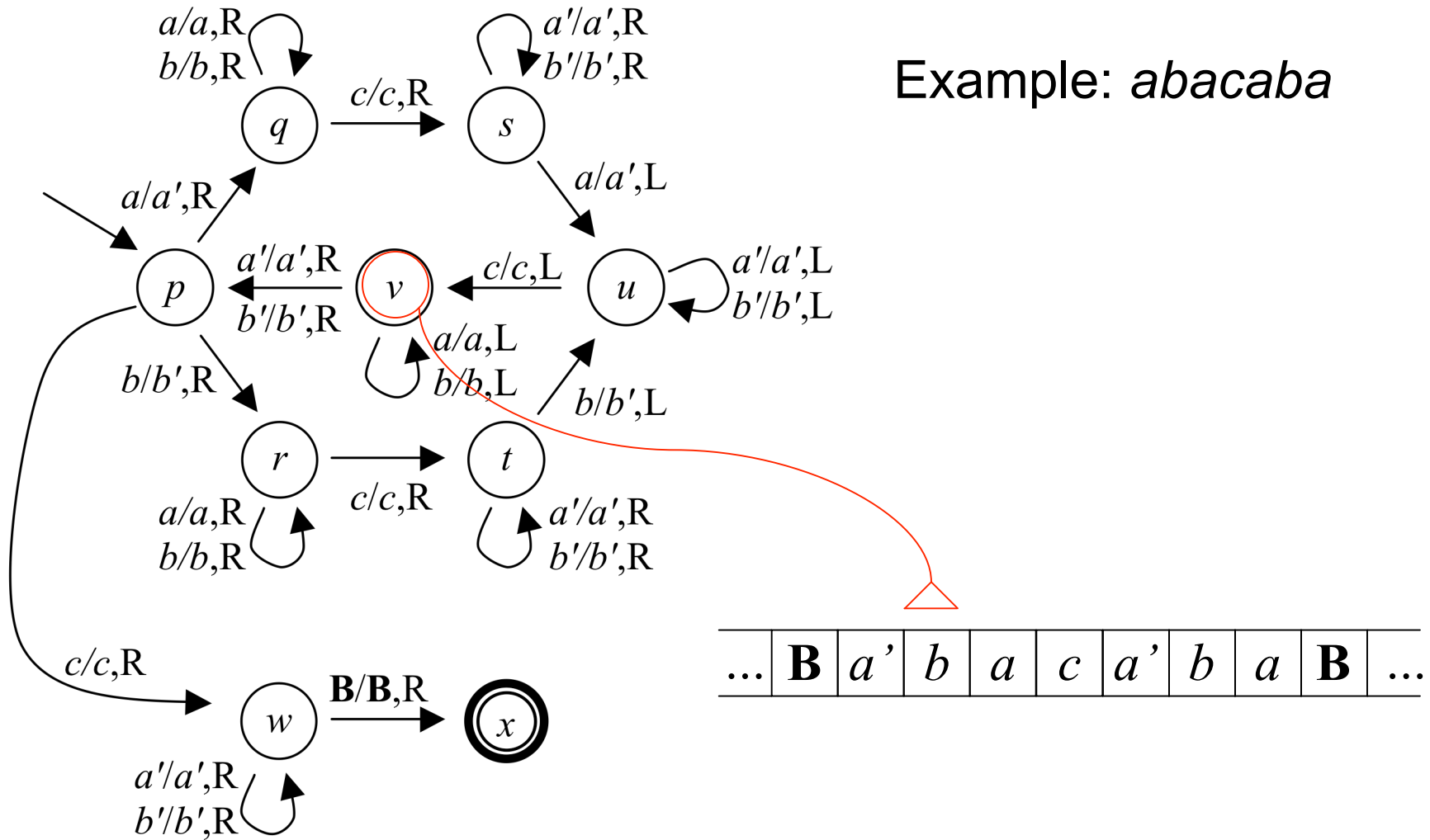
Example: *abacaba*



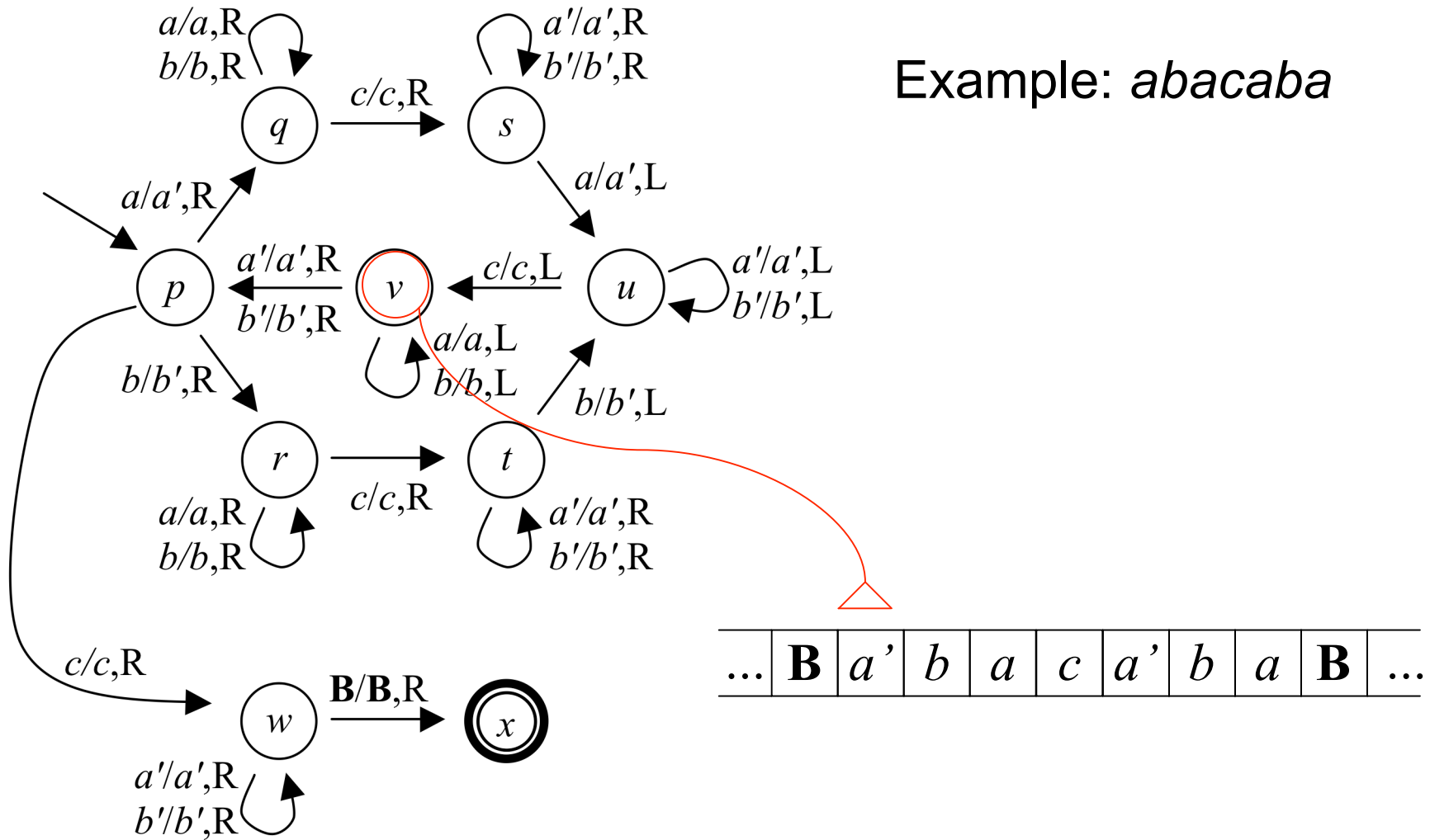
Example: *abacaba*



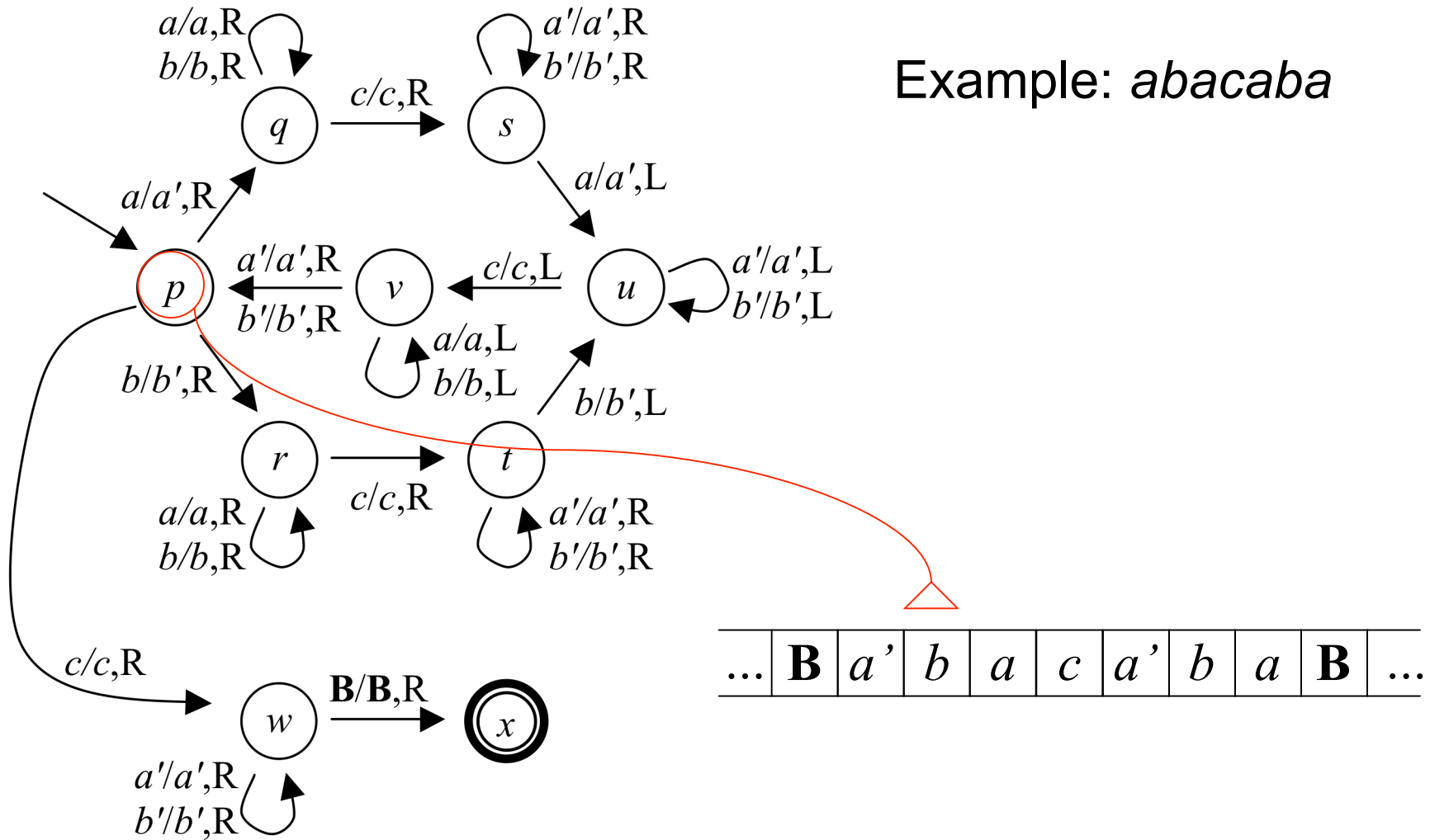
Example: *abacaba*



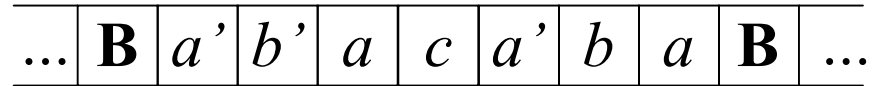
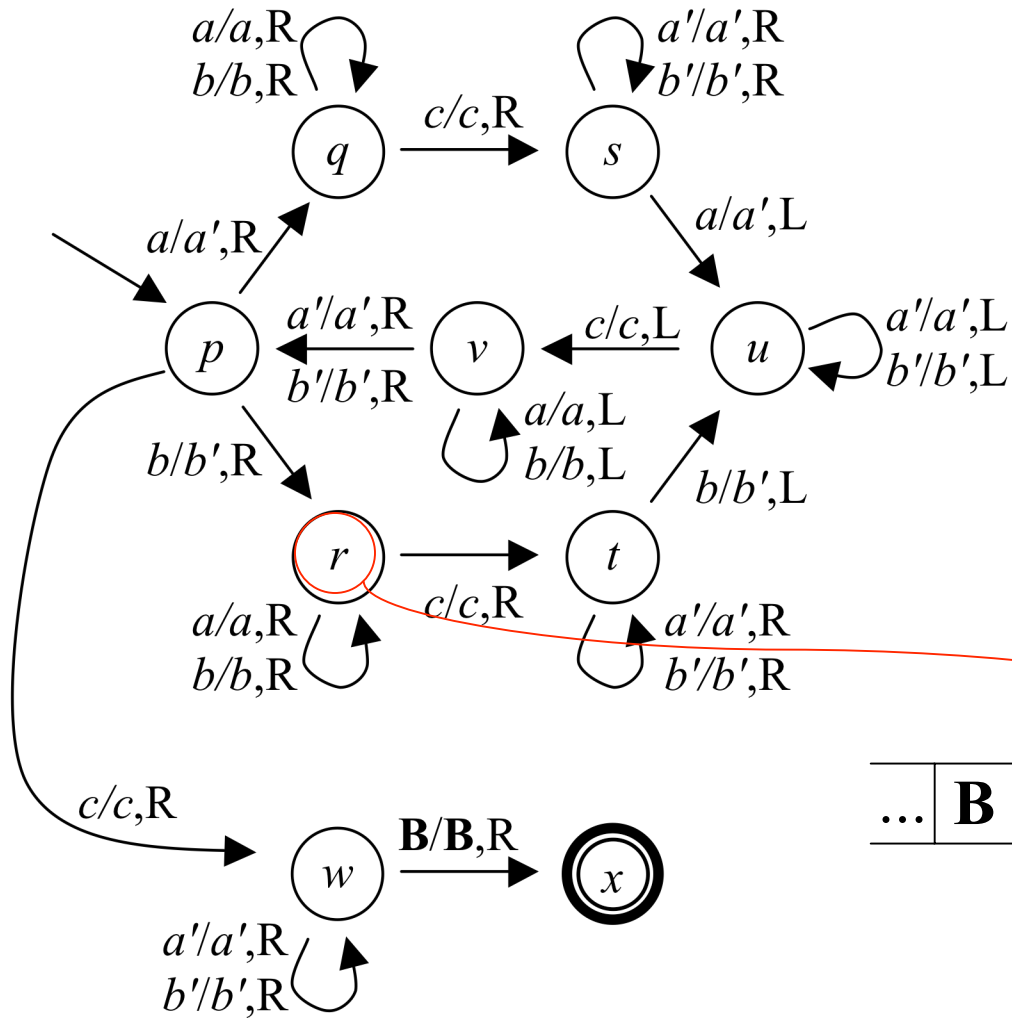
Example: *abacaba*



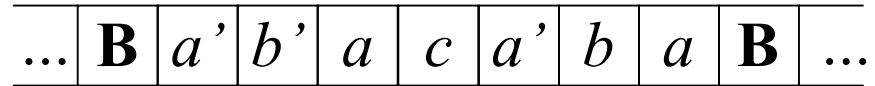
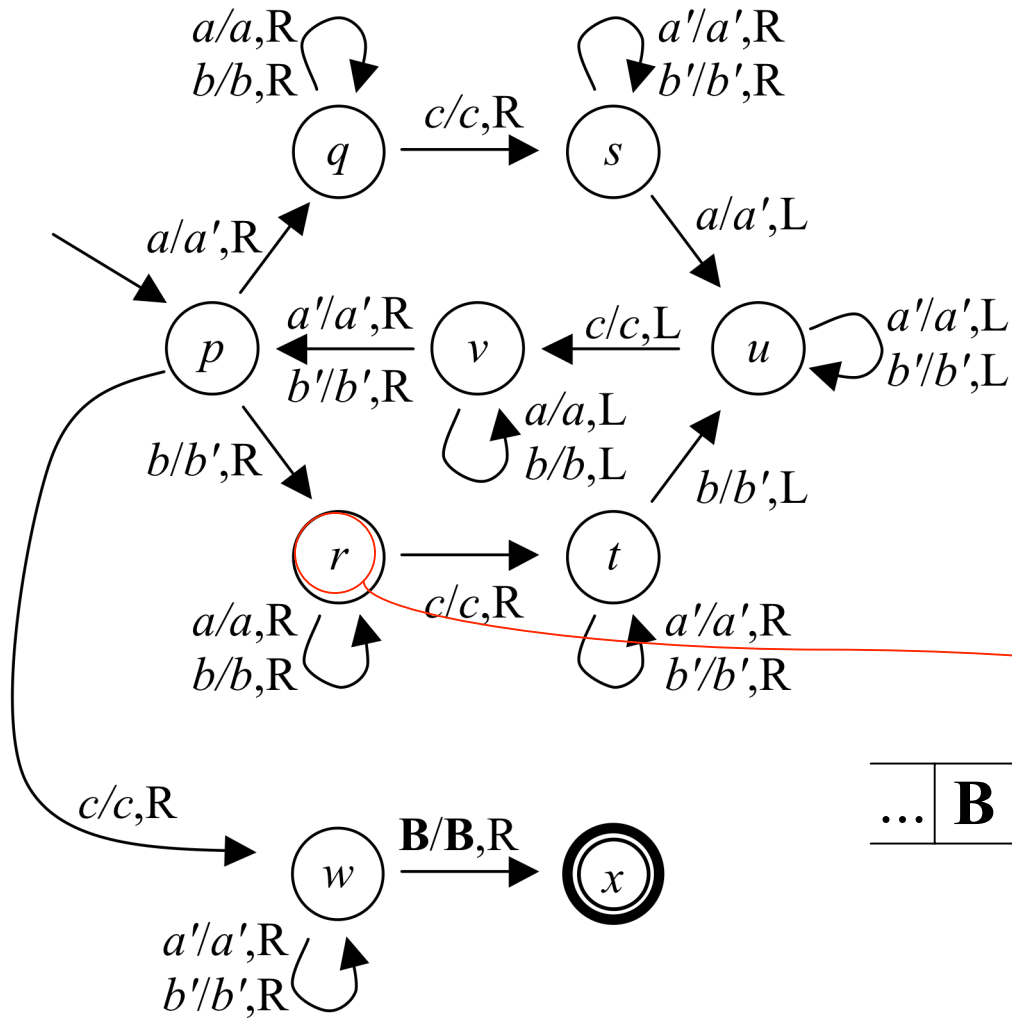
Example: *abacaba*



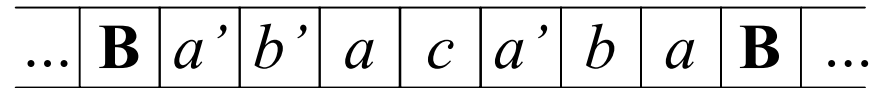
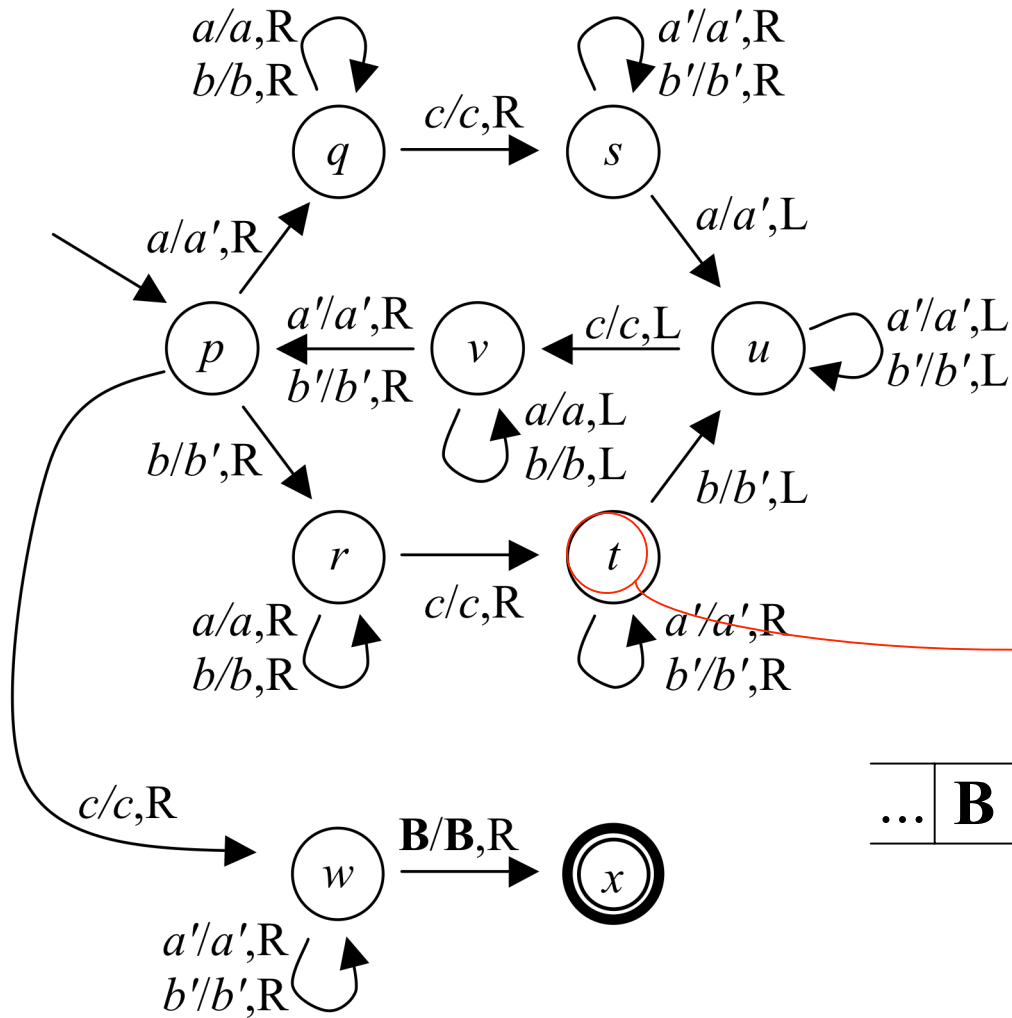
Example: *abacaba*



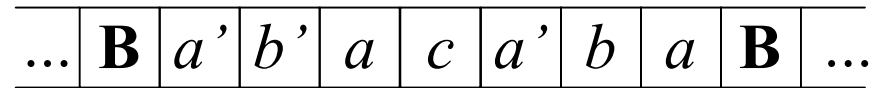
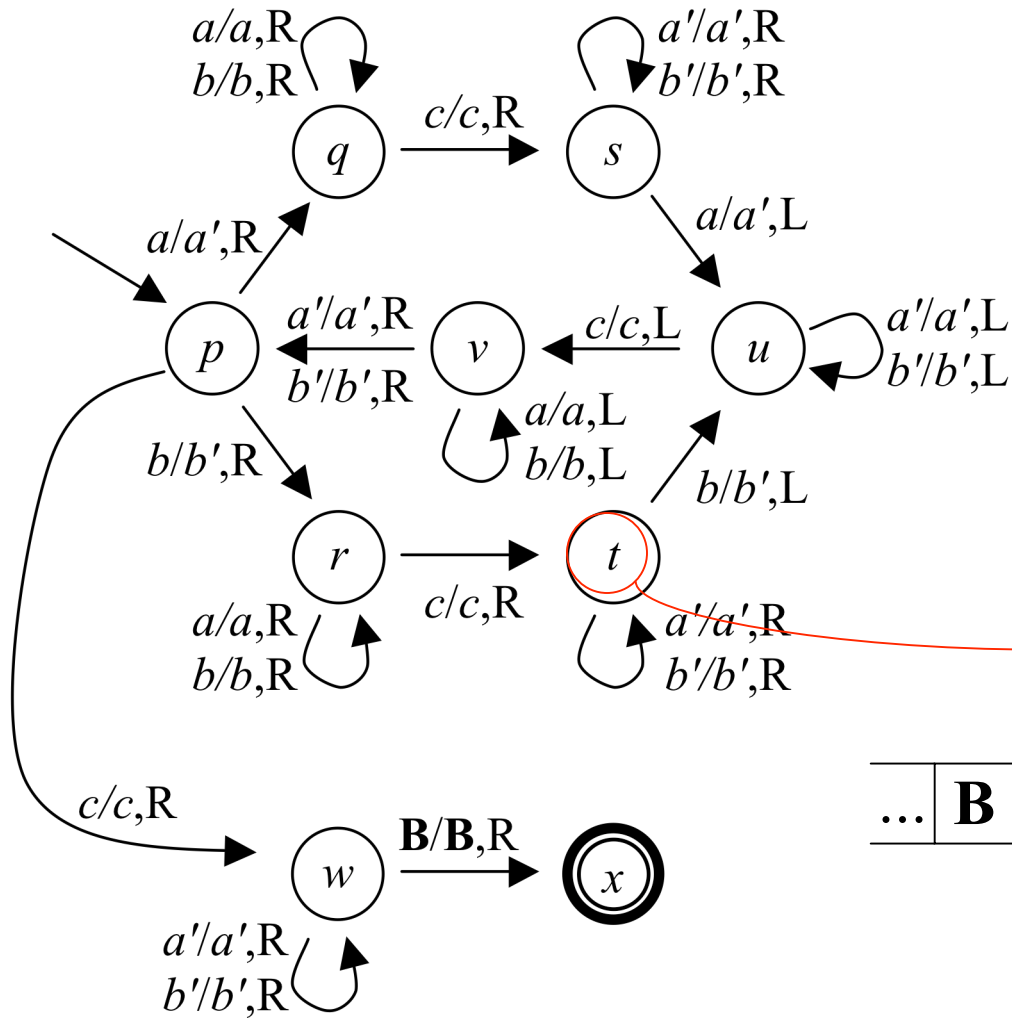
Example: *abacaba*



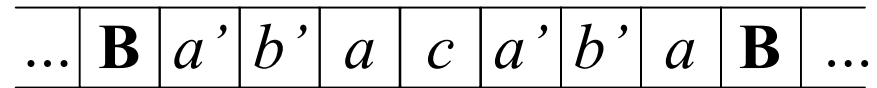
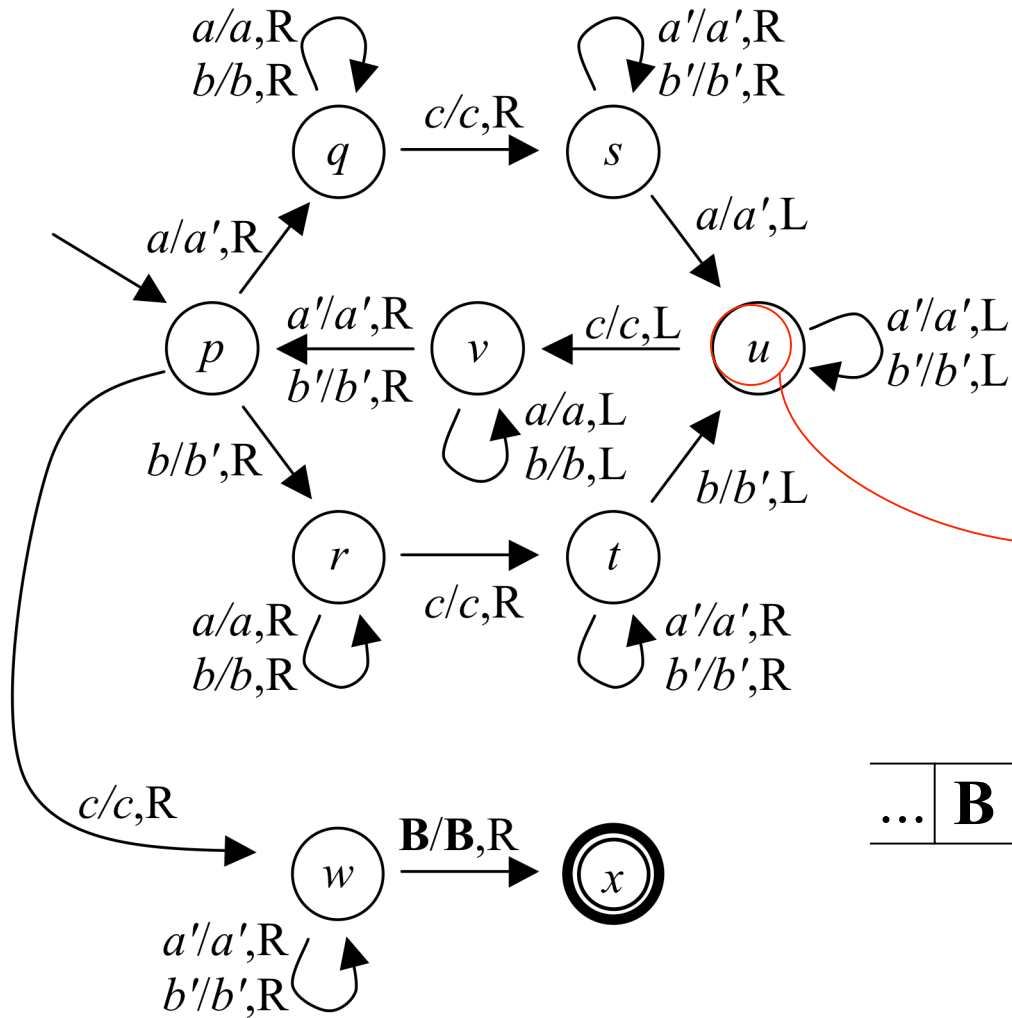
Example: *abacaba*



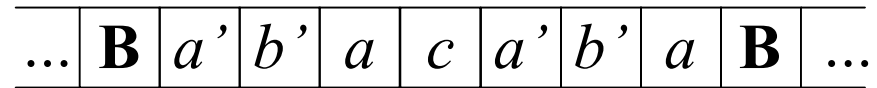
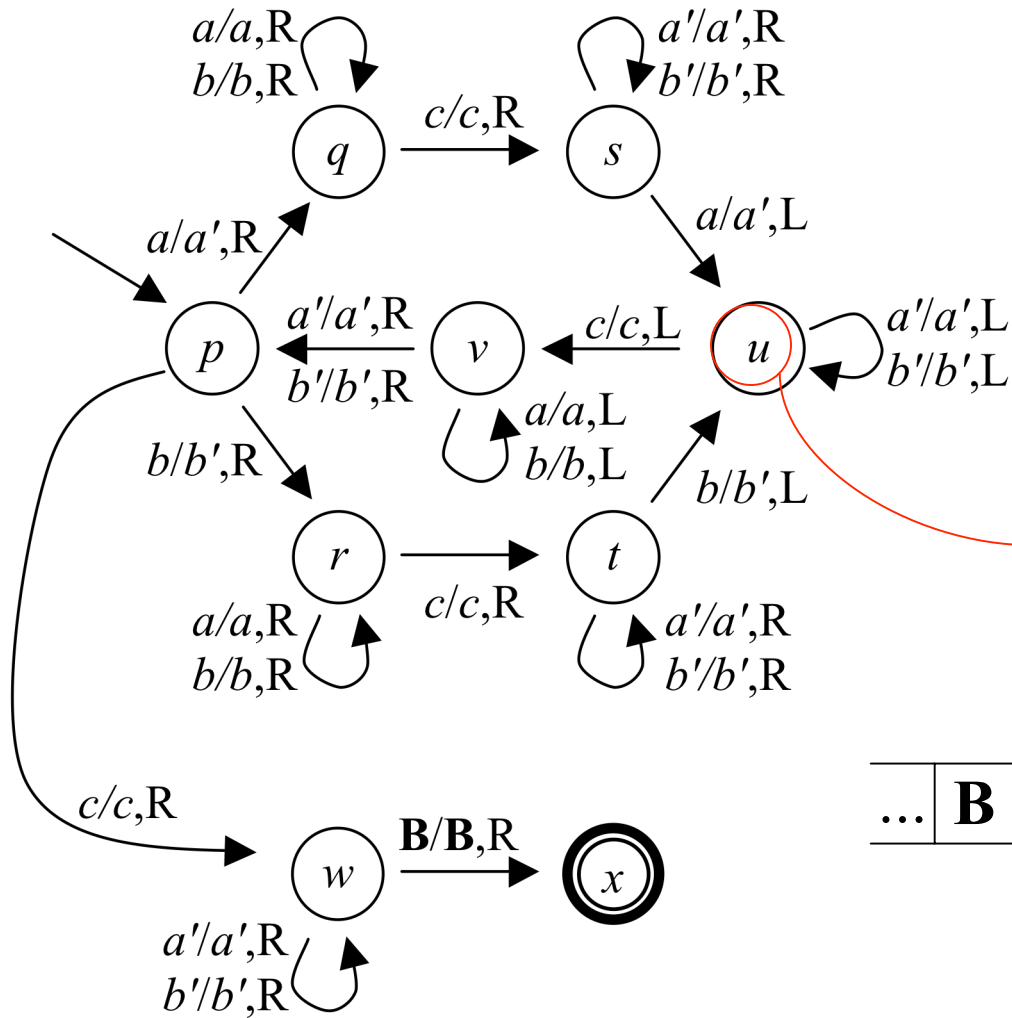
Example: *abacaba*



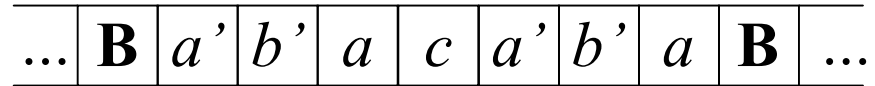
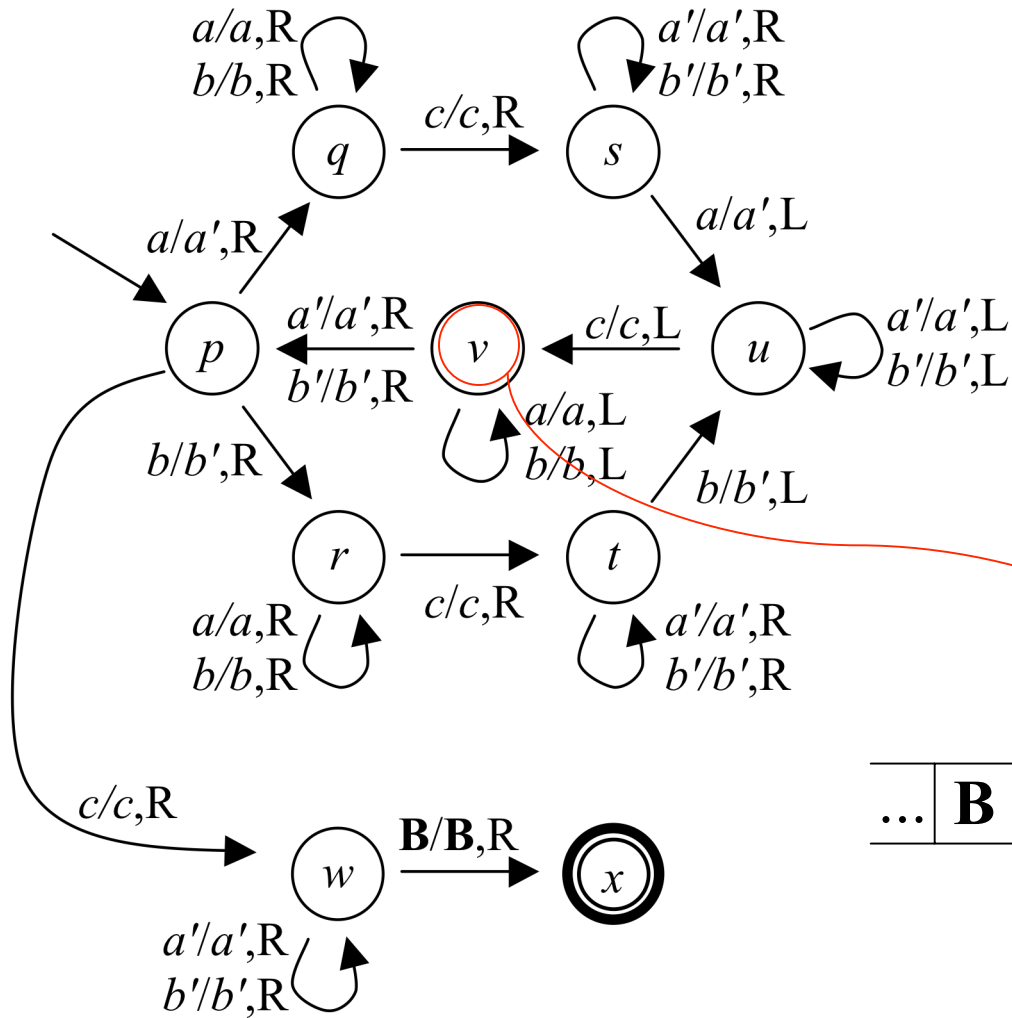
Example: *abacaba*



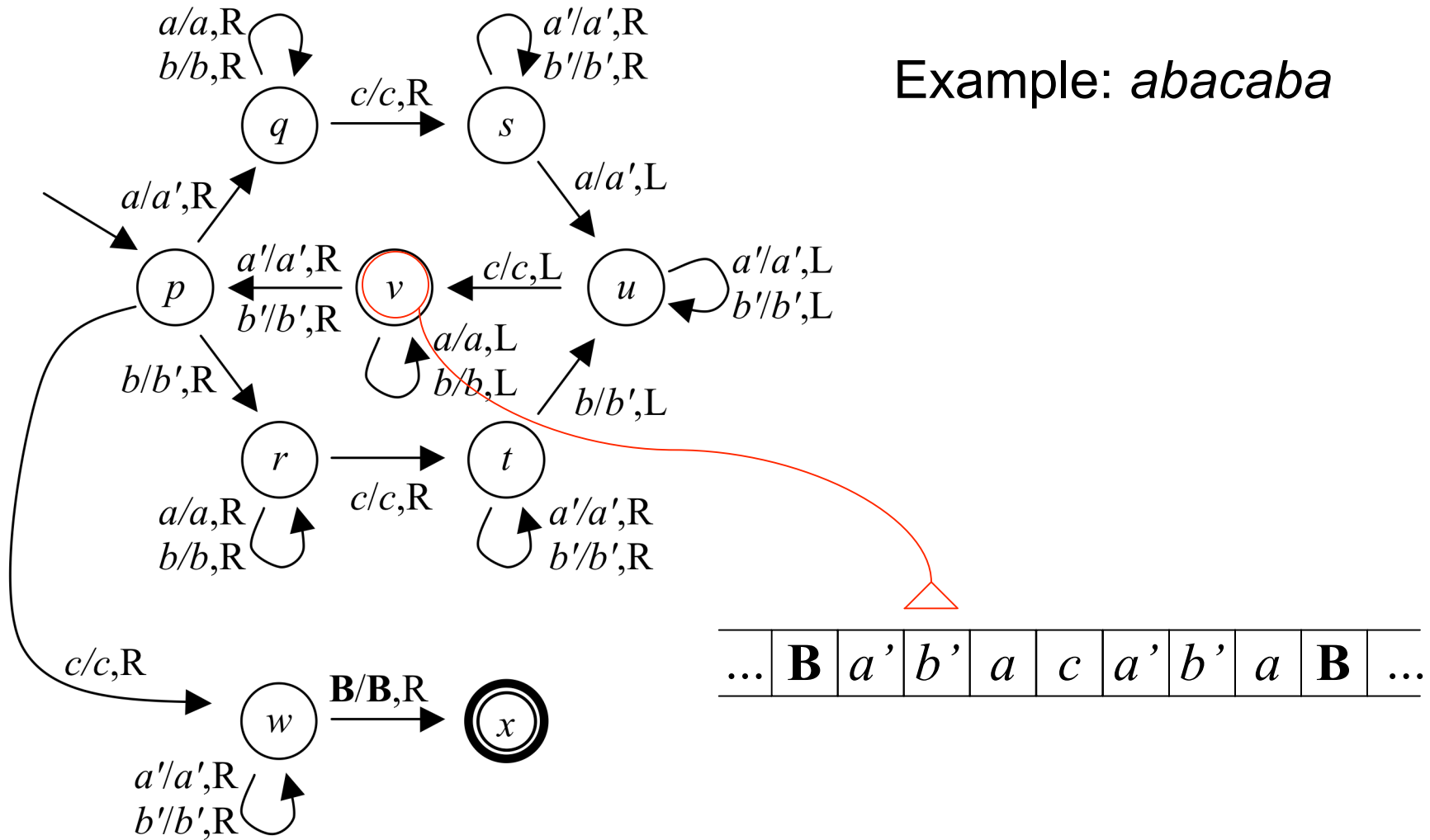
Example: *abacaba*



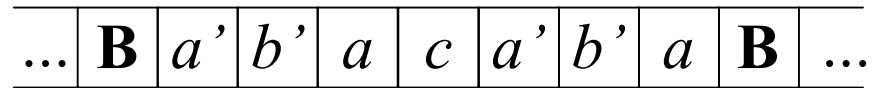
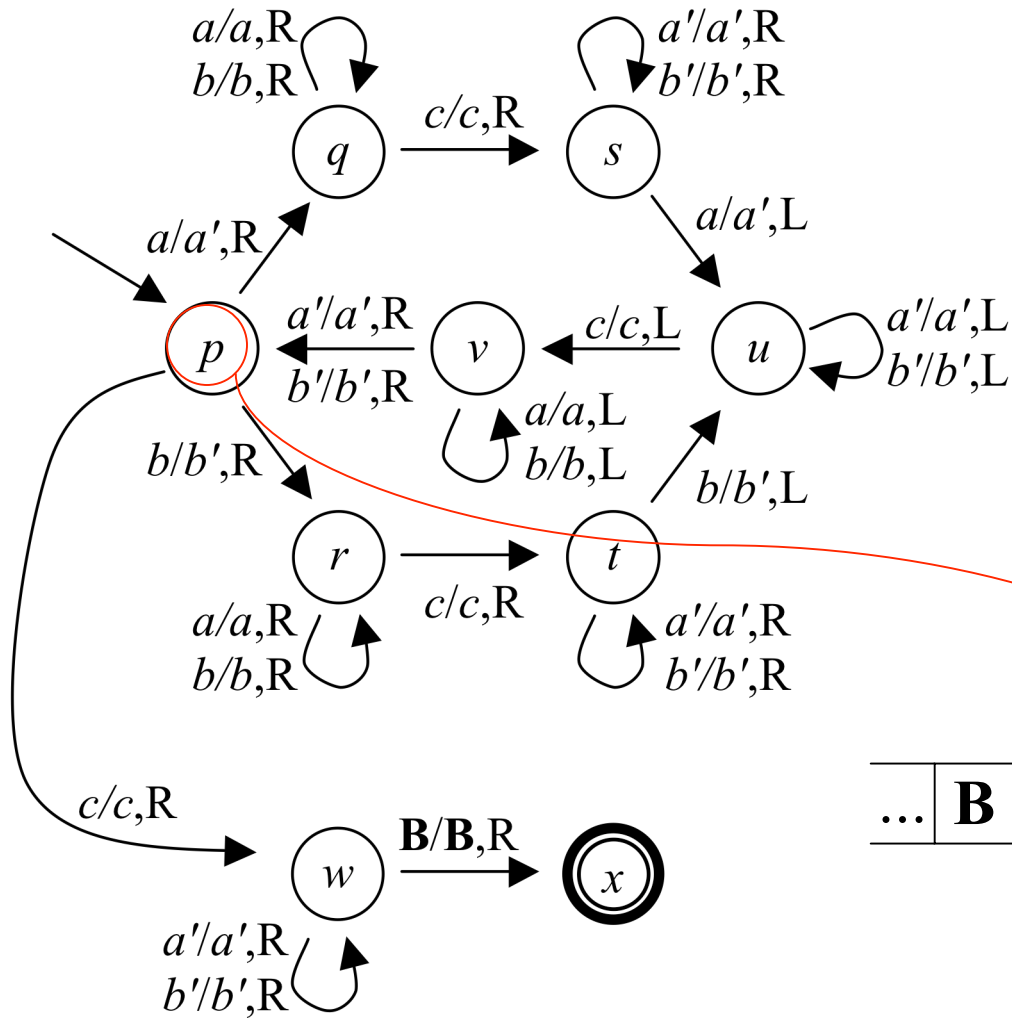
Example: *abacaba*



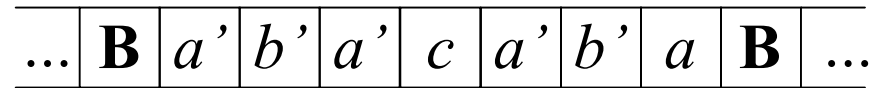
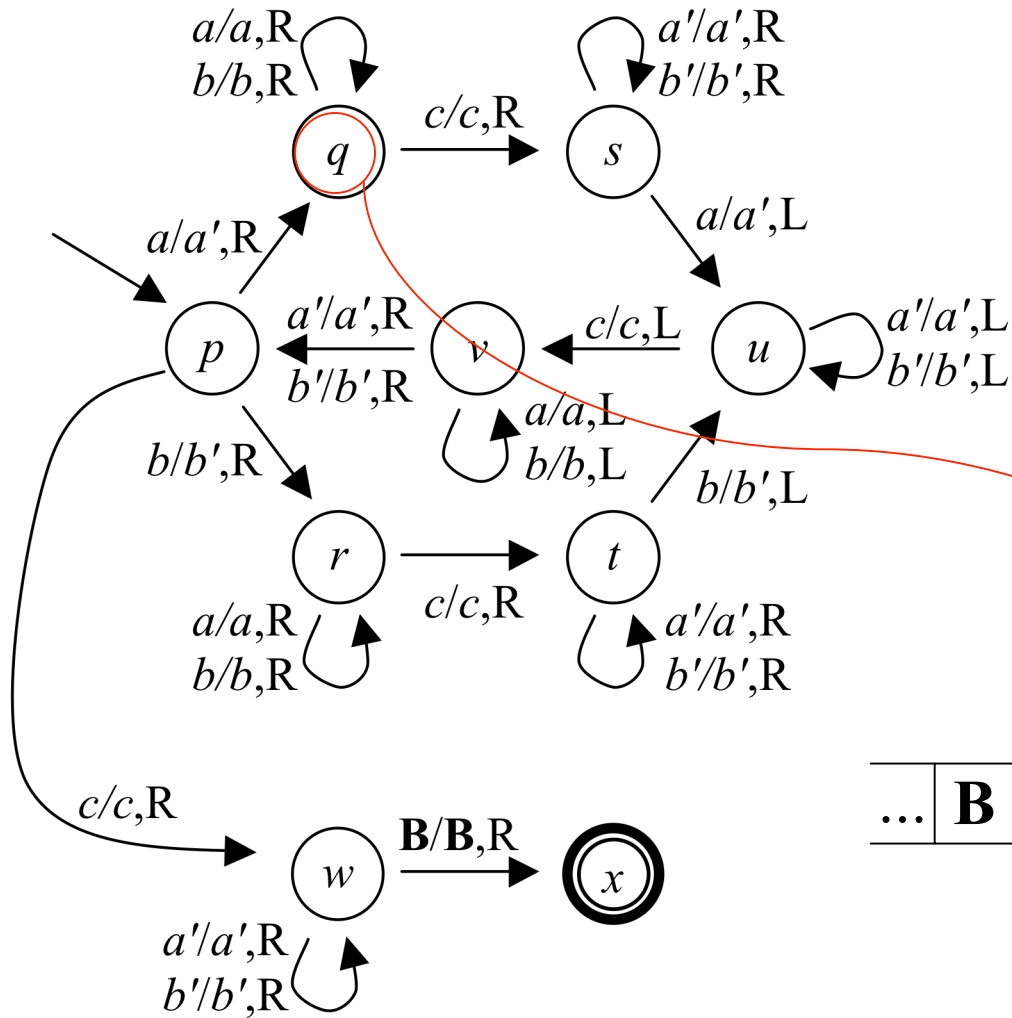
Example: *abacaba*



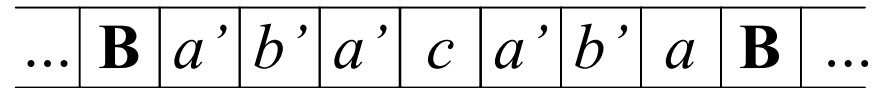
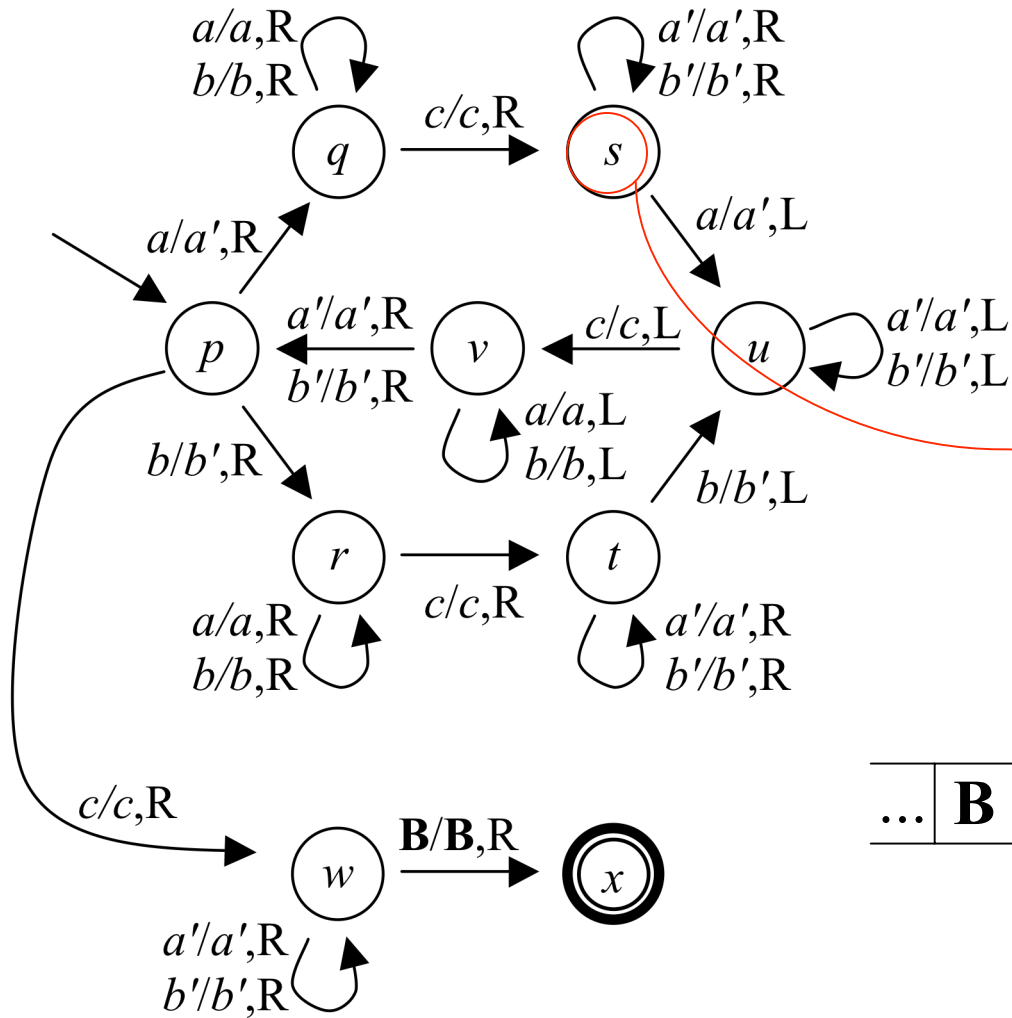
Example: *abacaba*



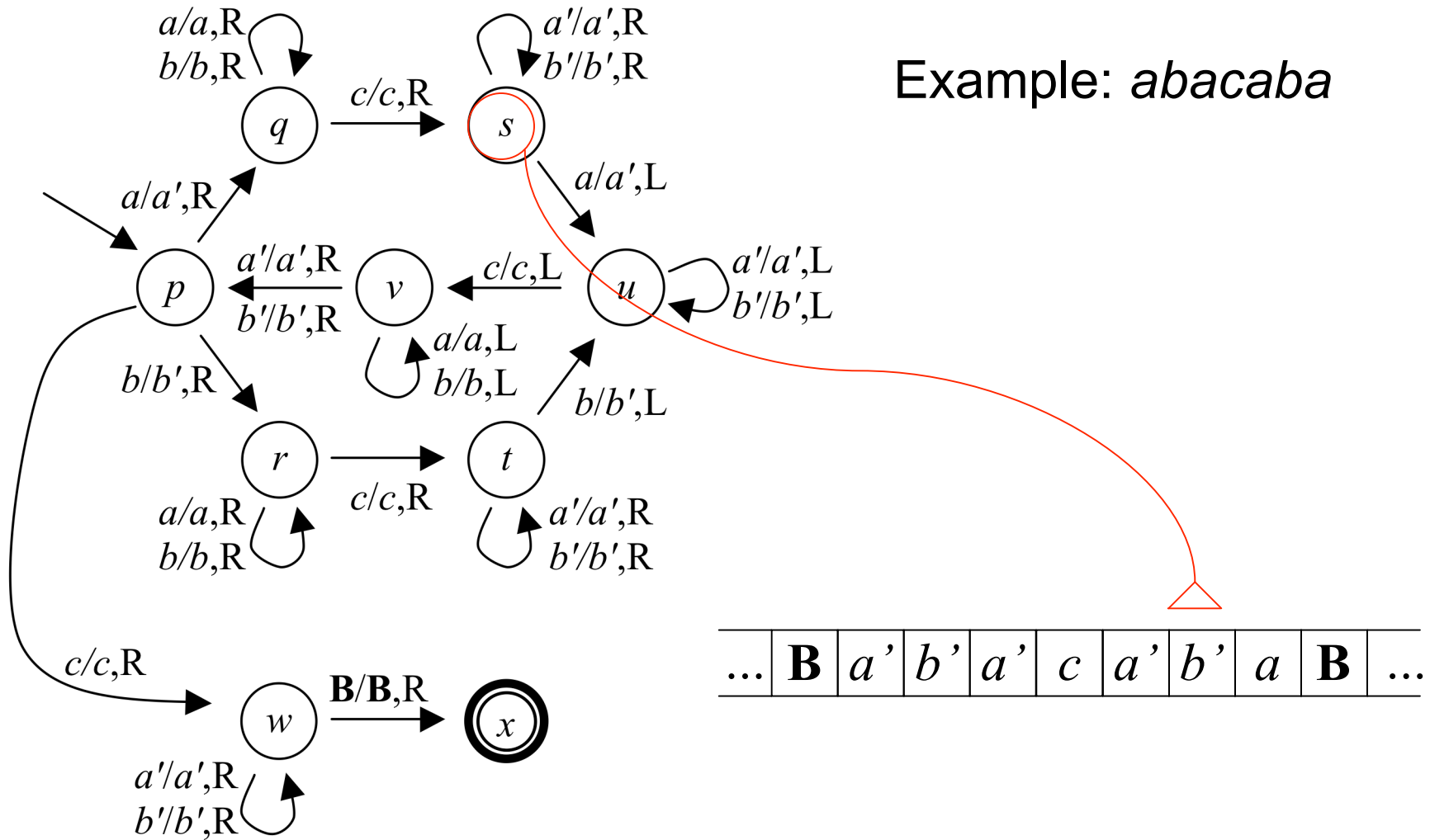
Example: *abacaba*



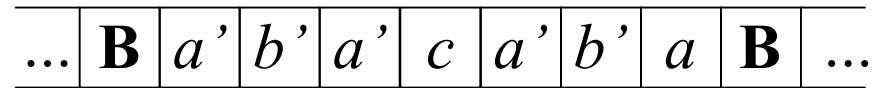
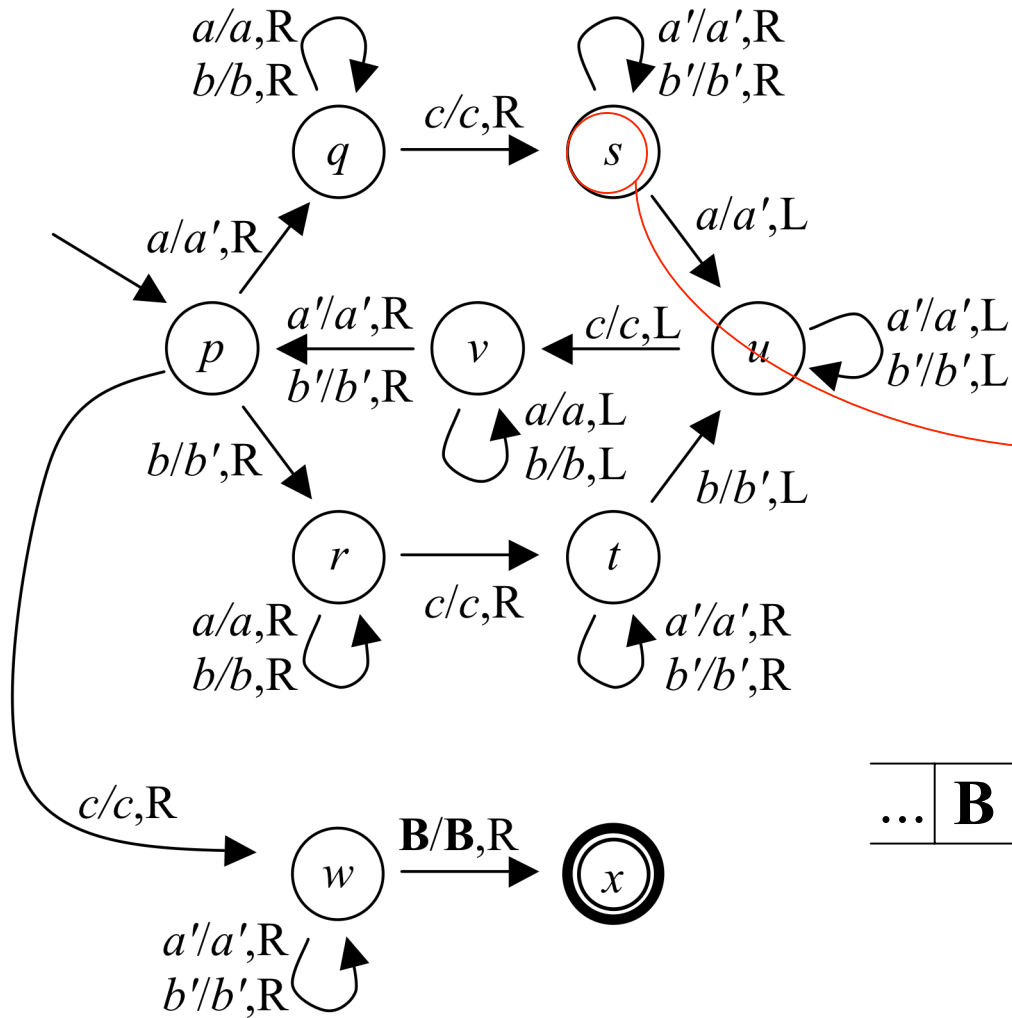
Example: *abacaba*



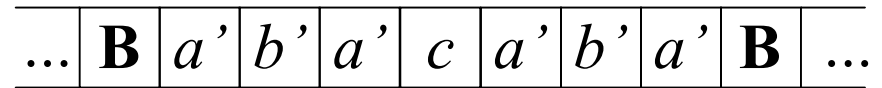
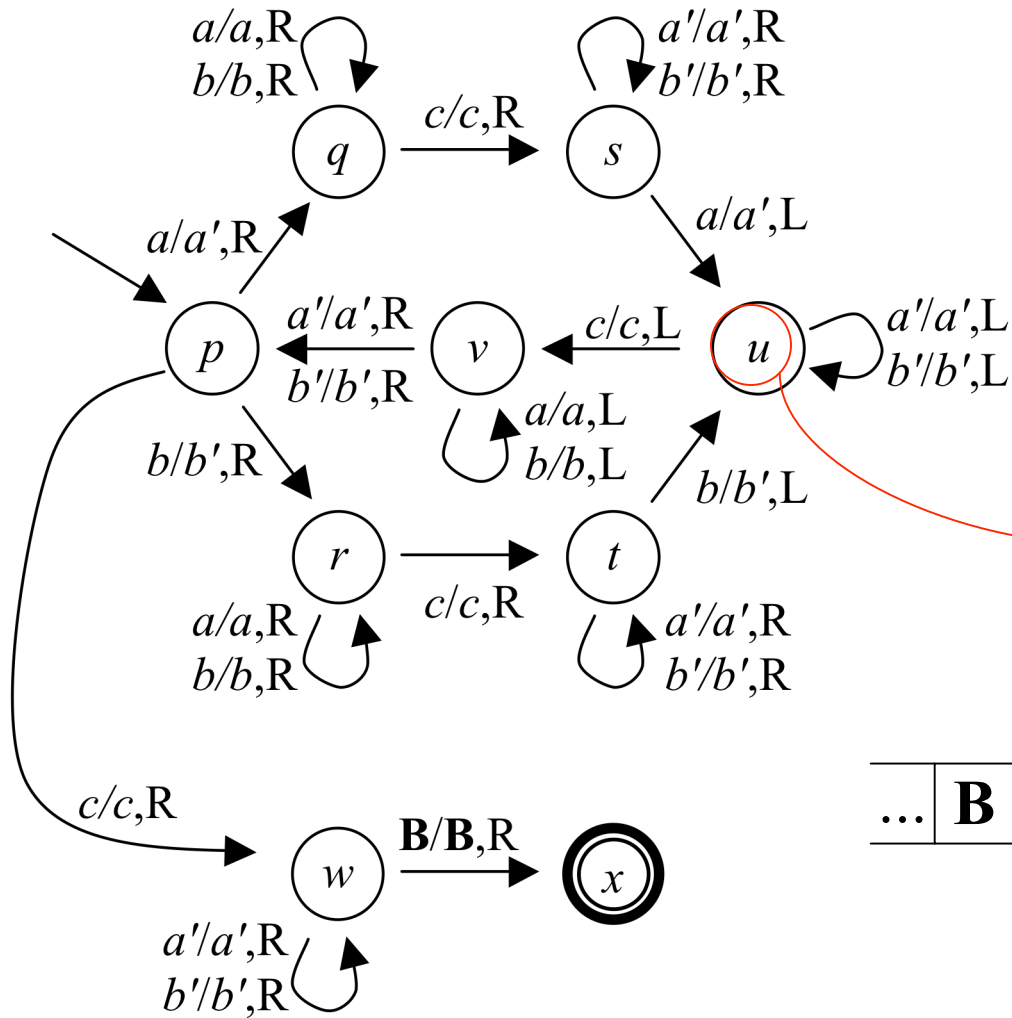
Example: *abacaba*



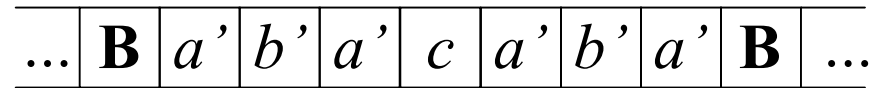
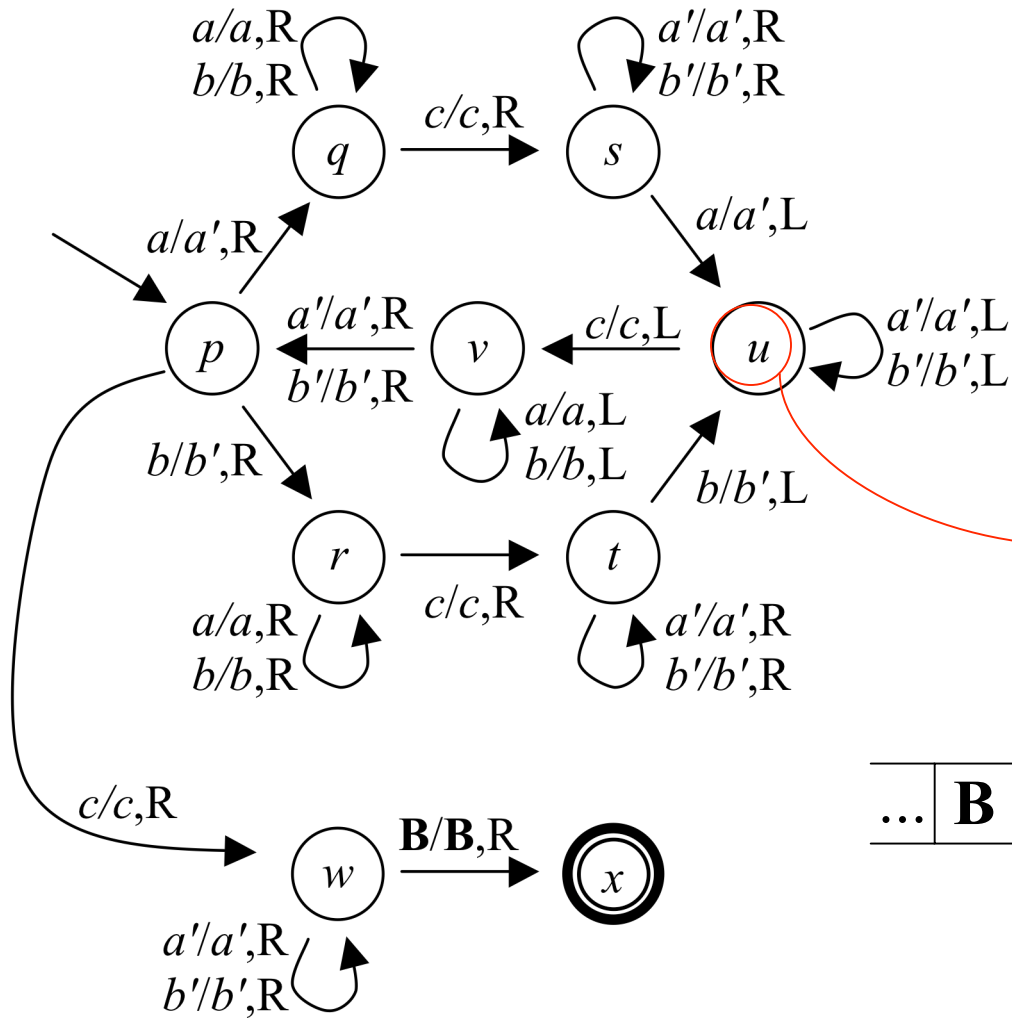
Example: *abacaba*



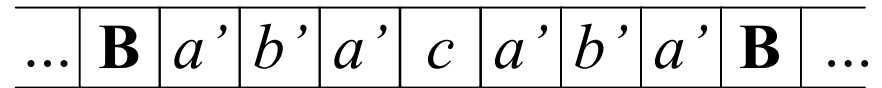
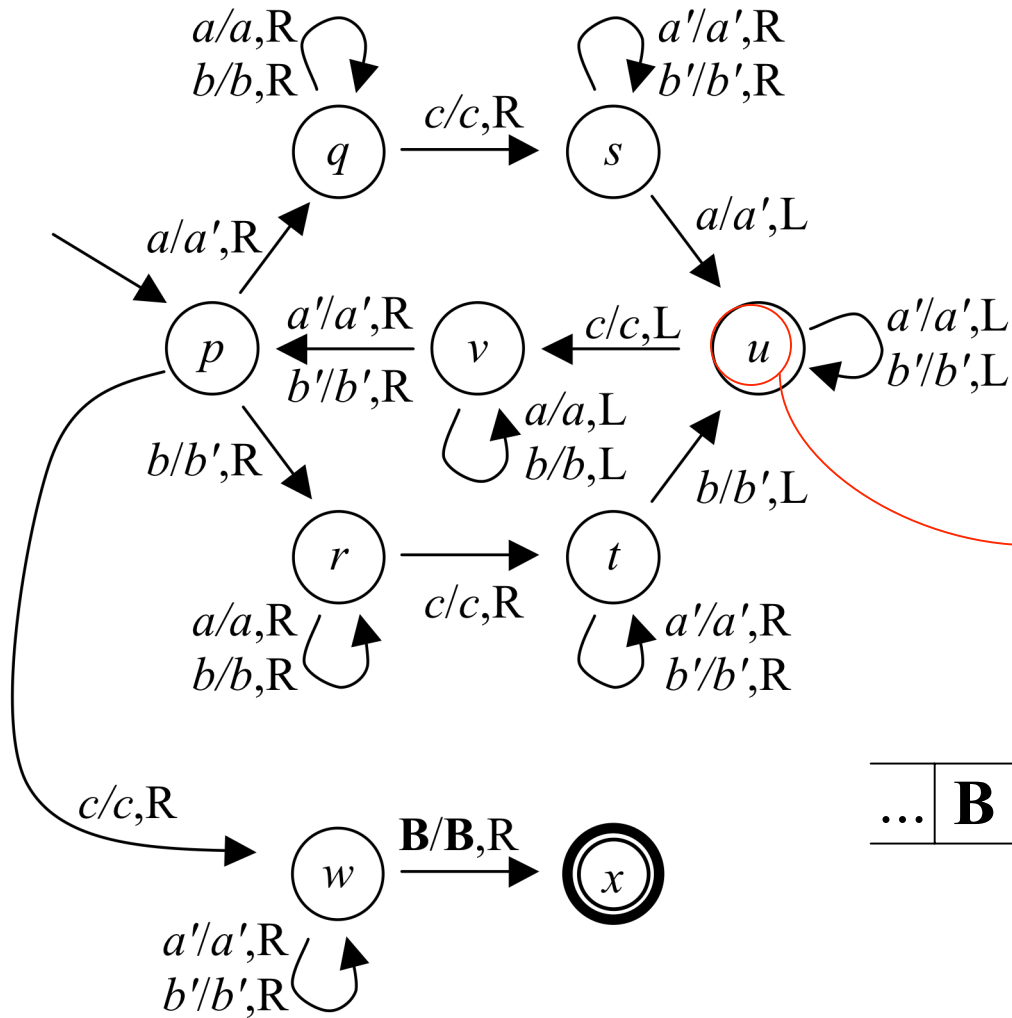
Example: *abacaba*



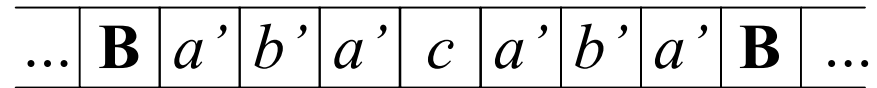
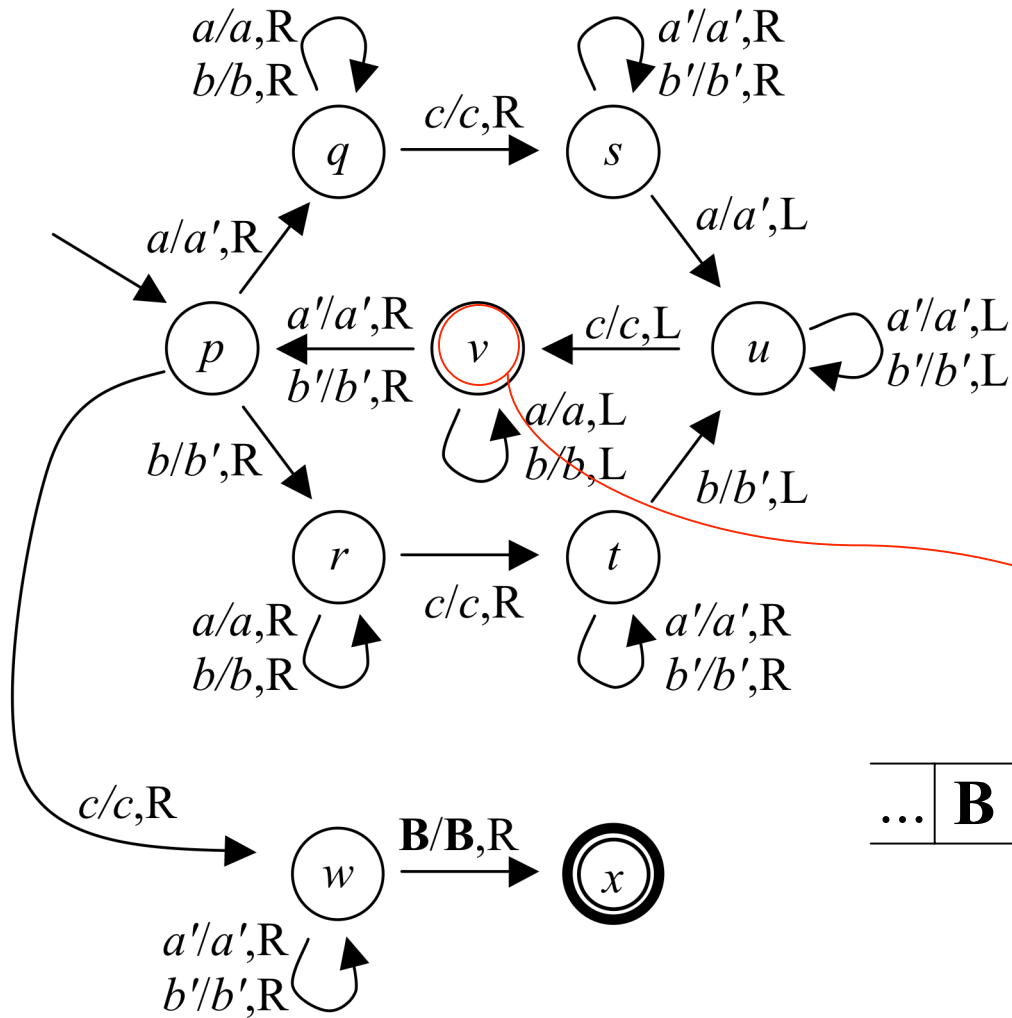
Example: *abacaba*



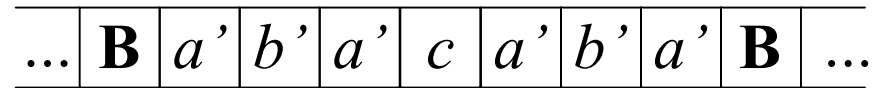
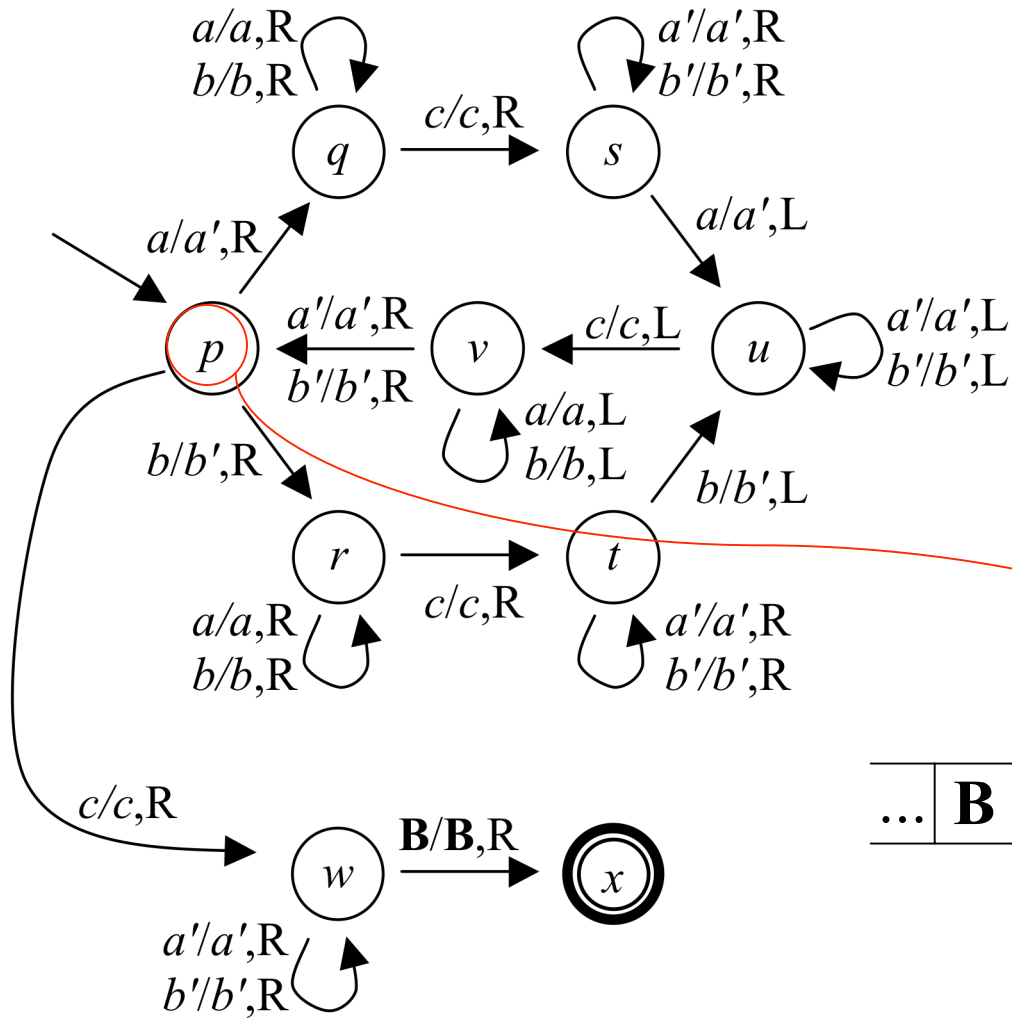
Example: *abacaba*



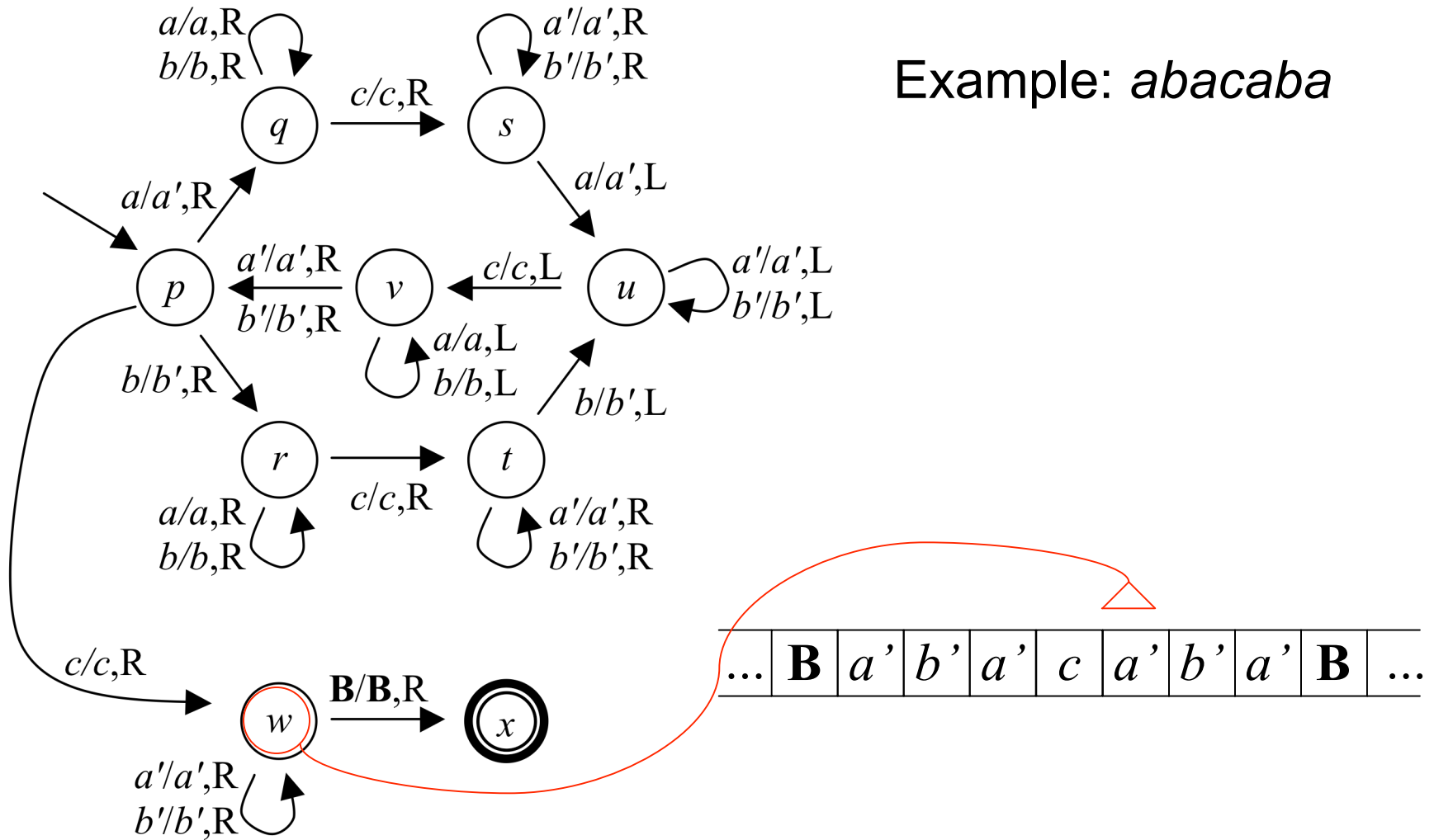
Example: *abacaba*



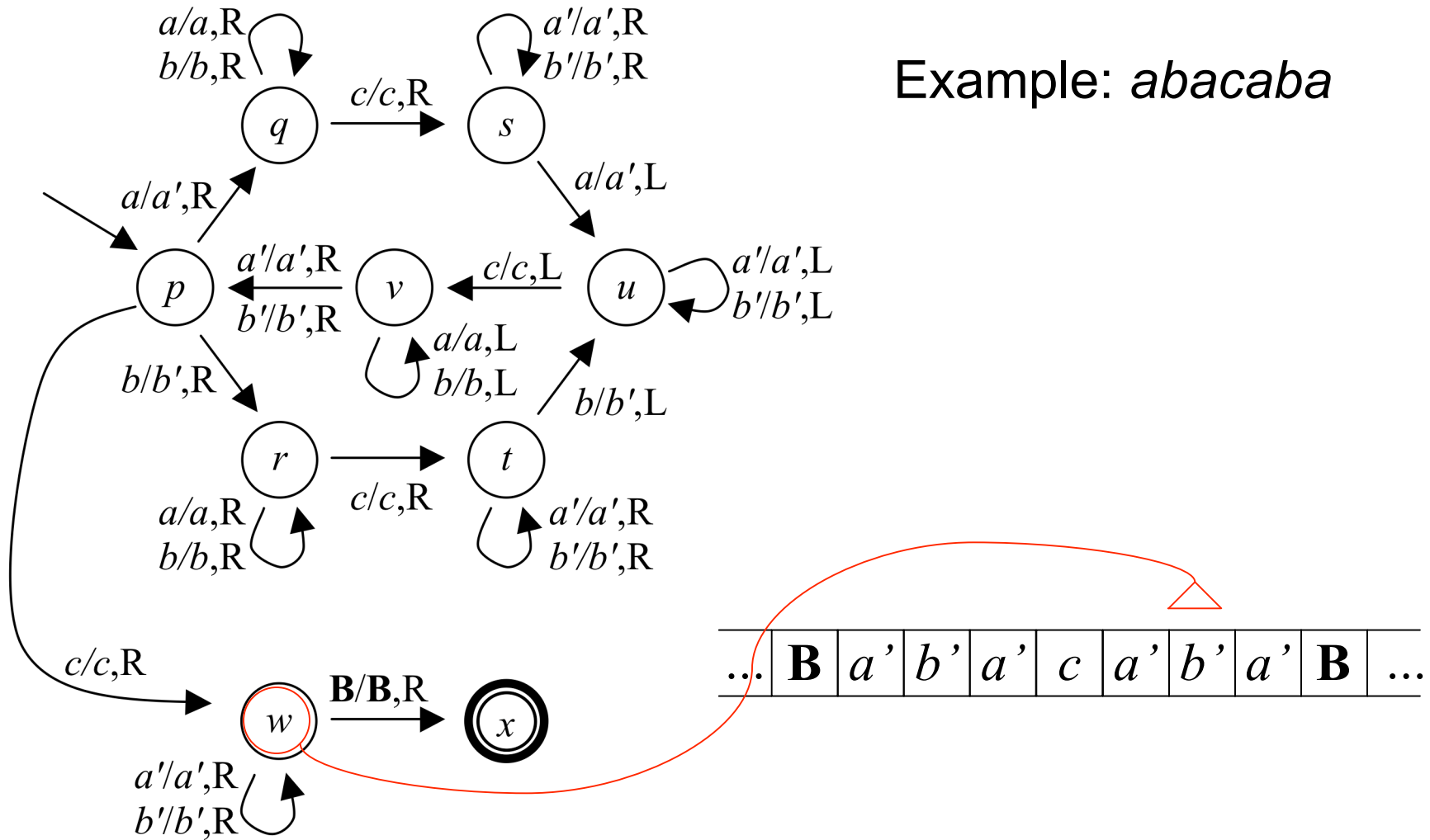
Example: *abacaba*



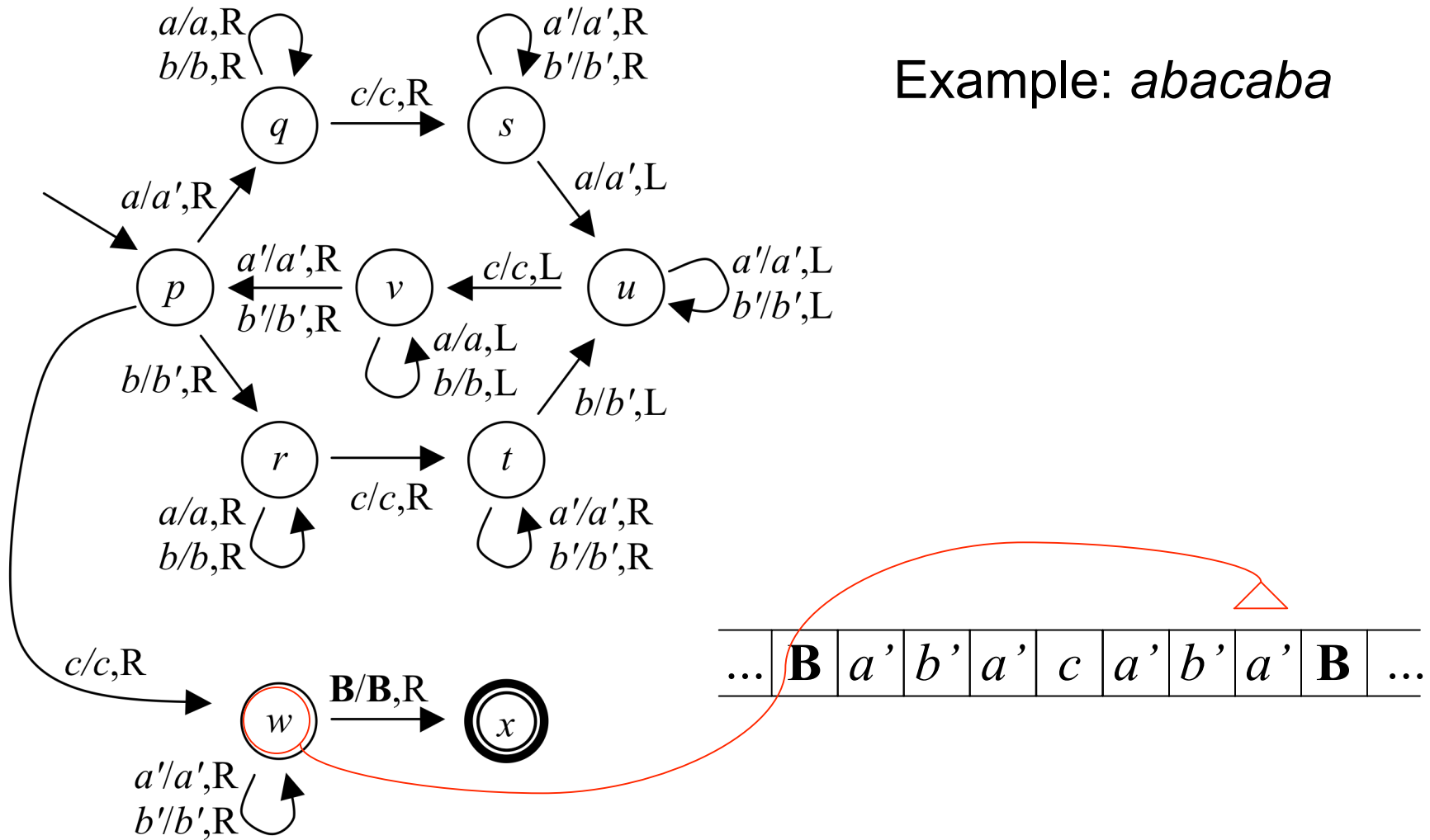
Example: *abacaba*



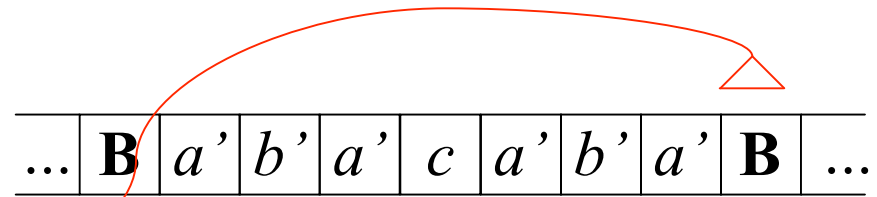
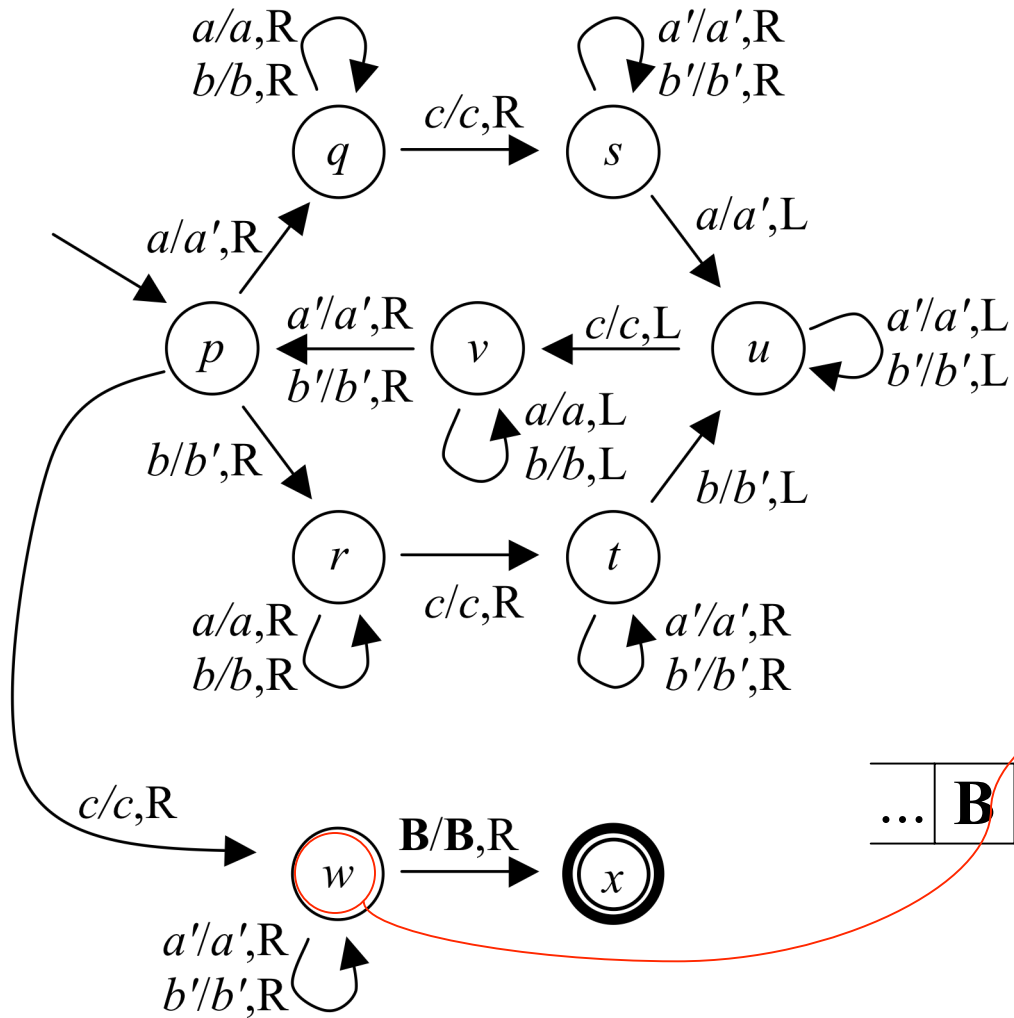
Example: *abacaba*



Example: *abacaba*



Example: *abacaba*



Example: *abacaba*

